

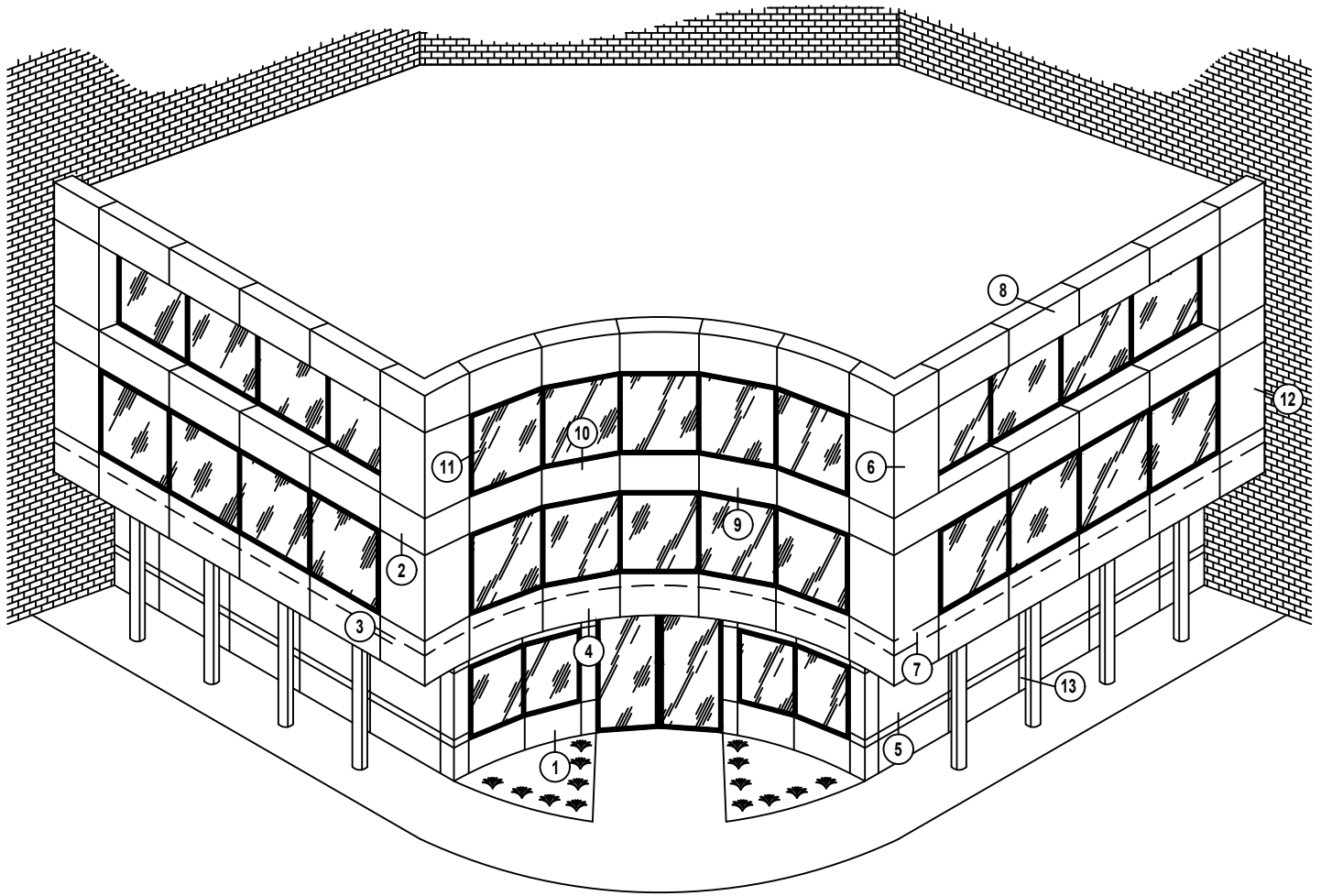
# ACCU-TRAC<sup>®</sup>

## ATTACHMENT SYSTEMS

### TYPICAL DETAILS

# ROUTE & RETURN EXPOSED SEALANT SYSTEM

(ES 4MM ROUTED MCM SYSTEM)



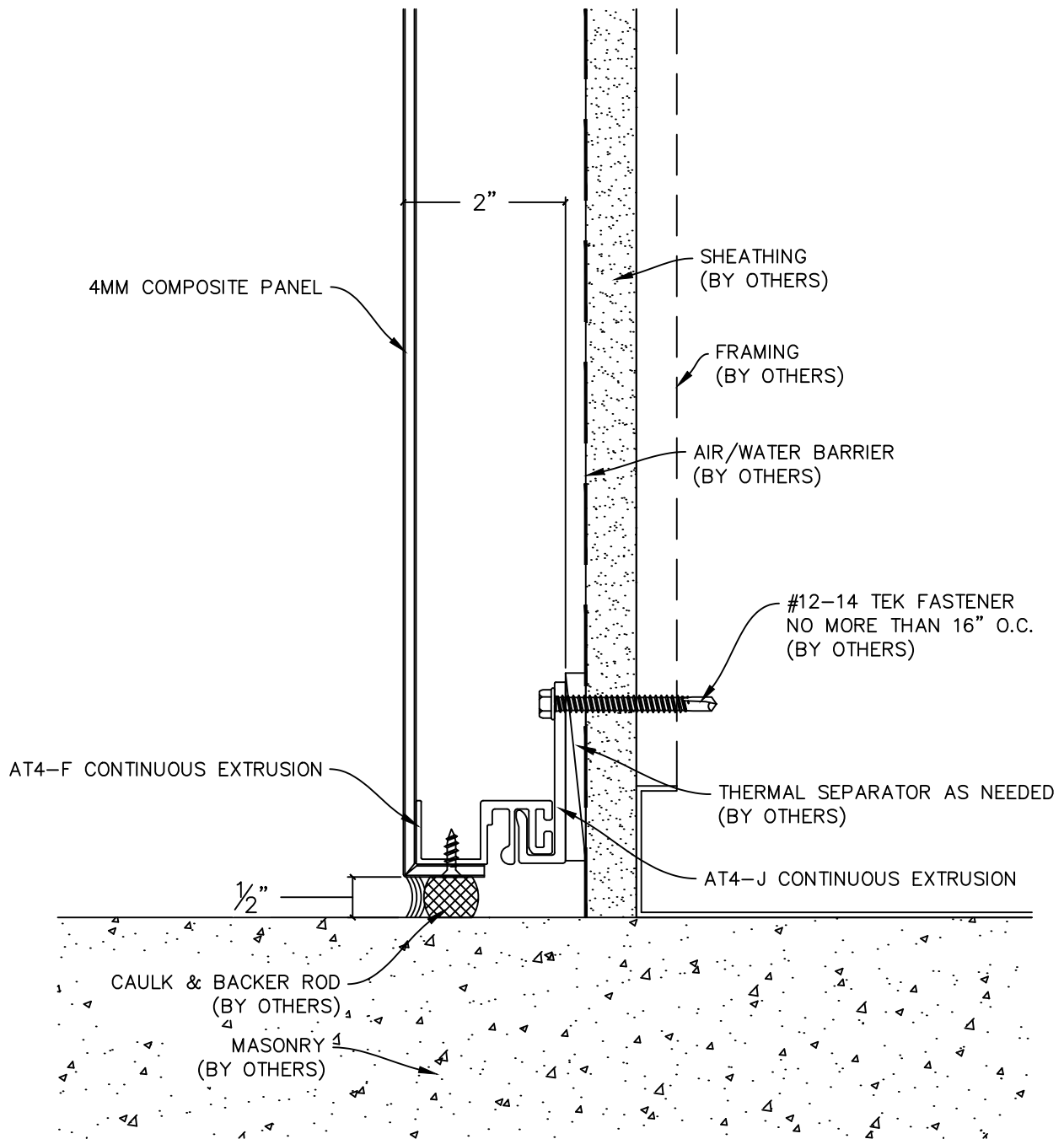
MANUFACTURED BY ALTECH PANEL SYSTEMS AND AVAILABLE THROUGH VARIOUS DISTRIBUTORS  
1 JOHNSON ST. SUITE 118 CARTERSVILLE, GA. 30120 PHONE 678-721-4569

ALTECHPANEL.COM

REVISED 9/2020

# ACCU-TRAC<sup>®</sup> (ES) ATTACHMENT SYSTEMS

1 JOHNSON ST. SUITE 118 CARTERSVILLE, GA. 30120 PHONE 678-721-4569



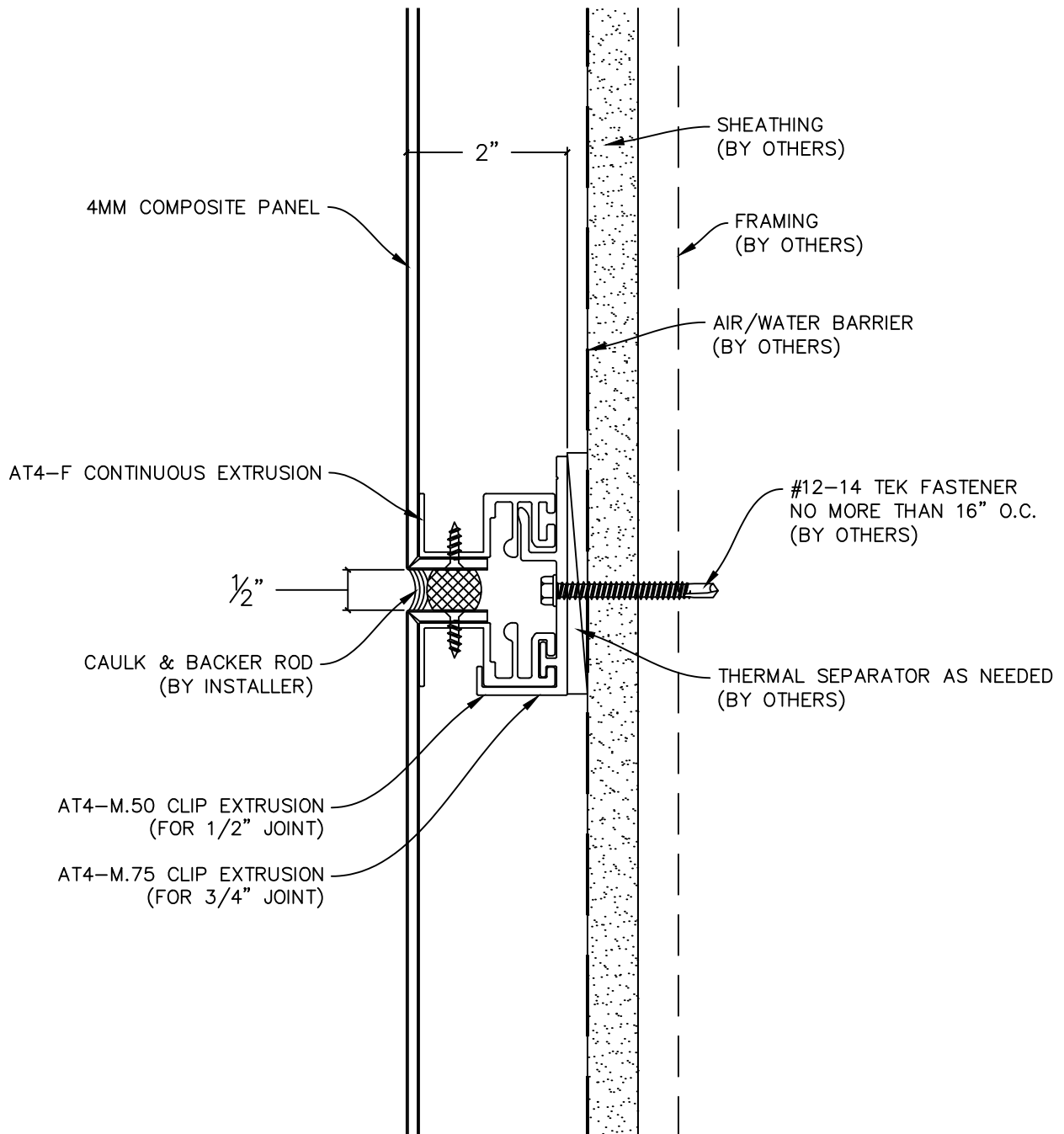
## 1 BASE TERMINATION

SCALE: 6" = 1'-0"

ACCU-TRAC<sup>®</sup> IS A PATENTED WALL PANEL ATTACHMENT SYSTEM AND MAY NOT BE REPRODUCED OR DUPLICATED WITHOUT PRIOR WRITTEN APPROVAL

# ACCU-TRAC<sup>®</sup> (ES) ATTACHMENT SYSTEMS

1 JOHNSON ST. SUITE 118 CARTERSVILLE, GA. 30120 PHONE 678-721-4569

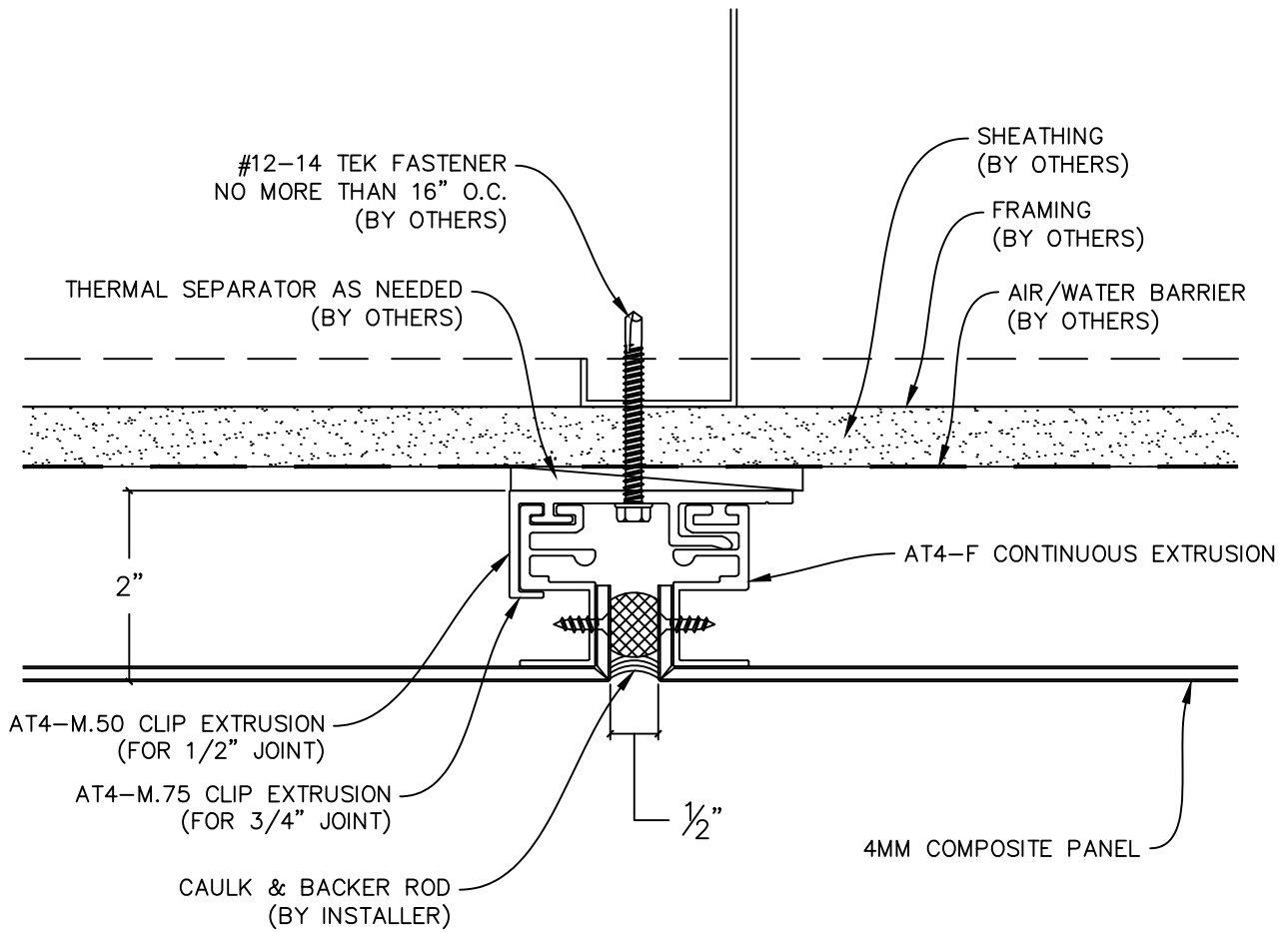


2 TYP. HORIZONTAL JOINT  
SCALE: 6" = 1'-0"

ACCU-TRAC<sup>®</sup> IS A PATENTED WALL PANEL ATTACHMENT SYSTEM AND MAY NOT BE REPRODUCED OR DUPLICATED WITHOUT PRIOR WRITTEN APPROVAL

# ACCU-TRAC<sup>®</sup> (ES) ATTACHMENT SYSTEMS

1 JOHNSON ST. SUITE 118 CARTERSVILLE, GA. 30120 PHONE 678-721-4569

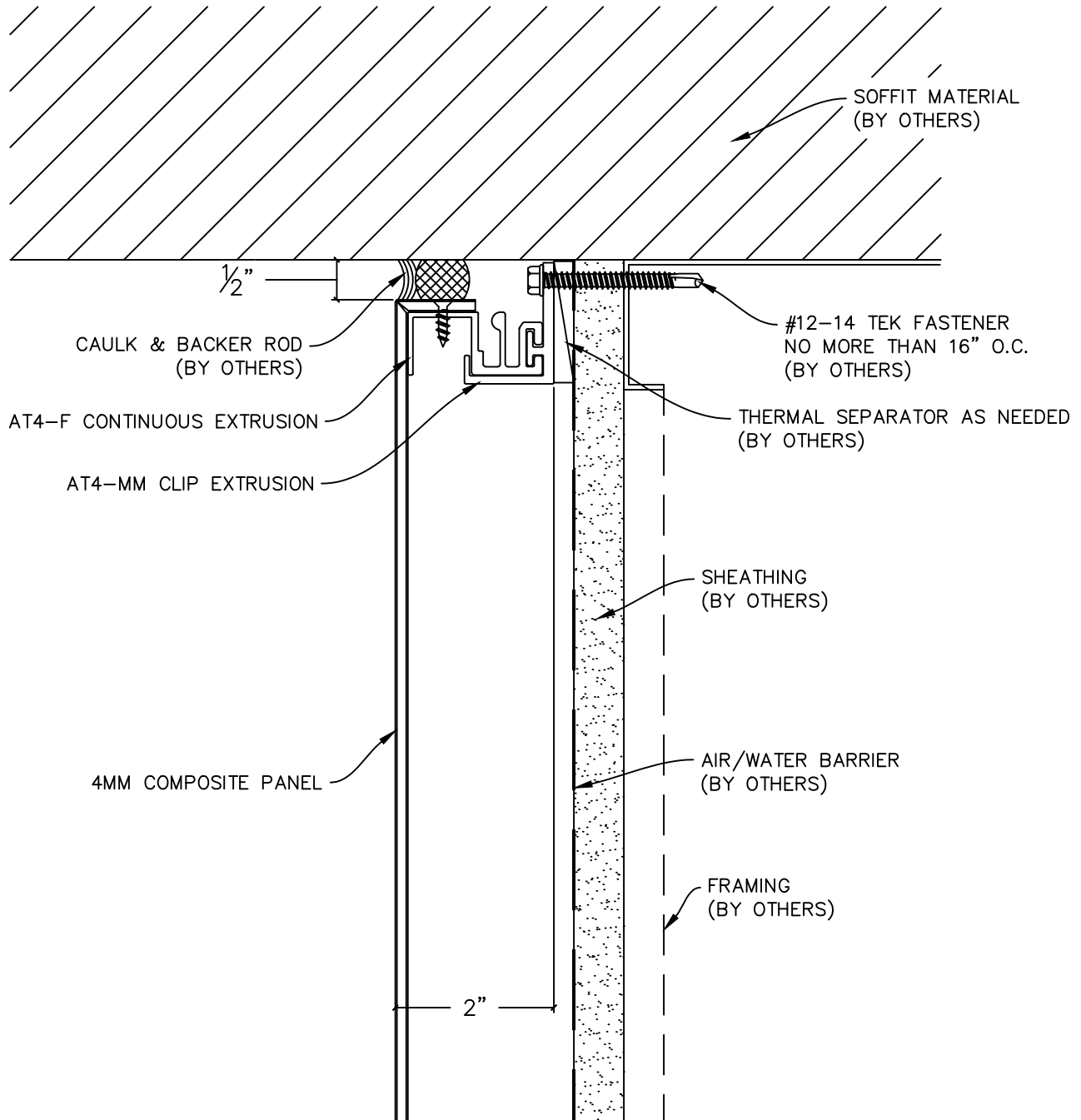


3 TYP. VERTICAL JOINT  
SCALE: 6" = 1'-0"

ACCU-TRAC<sup>®</sup> IS A PATENTED WALL PANEL ATTACHMENT SYSTEM AND MAY NOT BE REPRODUCED OR DUPLICATED WITHOUT PRIOR WRITTEN APPROVAL

# ACCU-TRAC® (ES) ATTACHMENT SYSTEMS

1 JOHNSON ST. SUITE 118 CARTERSVILLE, GA. 30120 PHONE 678-721-4569



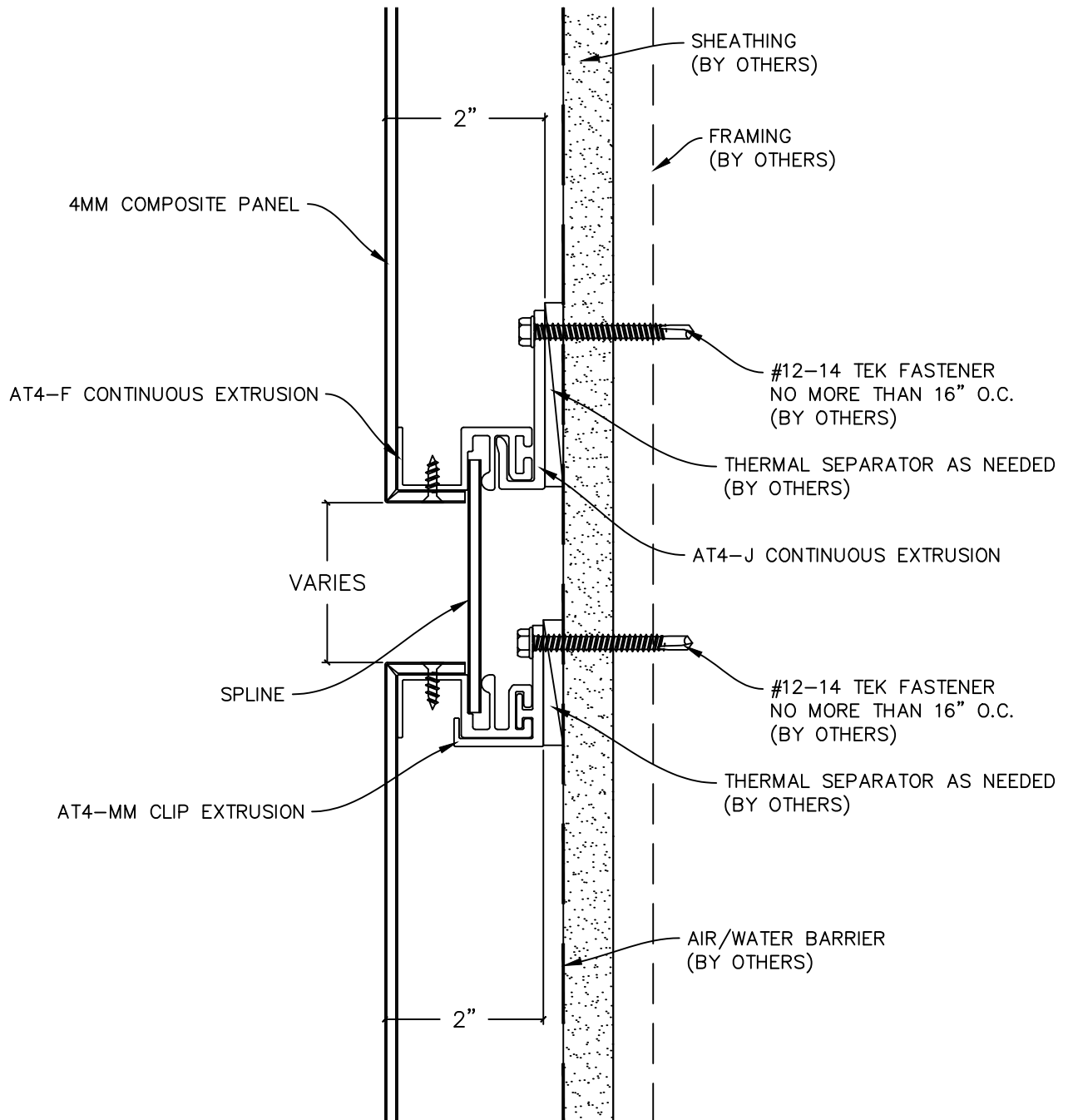
## 4 SOFFIT TERMINATION

SCALE: 6" = 1'-0"

ACCU-TRAC® IS A PATENTED WALL PANEL ATTACHMENT SYSTEM AND MAY NOT BE REPRODUCED OR DUPLICATED WITHOUT PRIOR WRITTEN APPROVAL

# ACCU-TRAC<sup>®</sup> (ES) ATTACHMENT SYSTEMS

1 JOHNSON ST. SUITE 118 CARTERSVILLE, GA. 30120 PHONE 678-721-4569



5

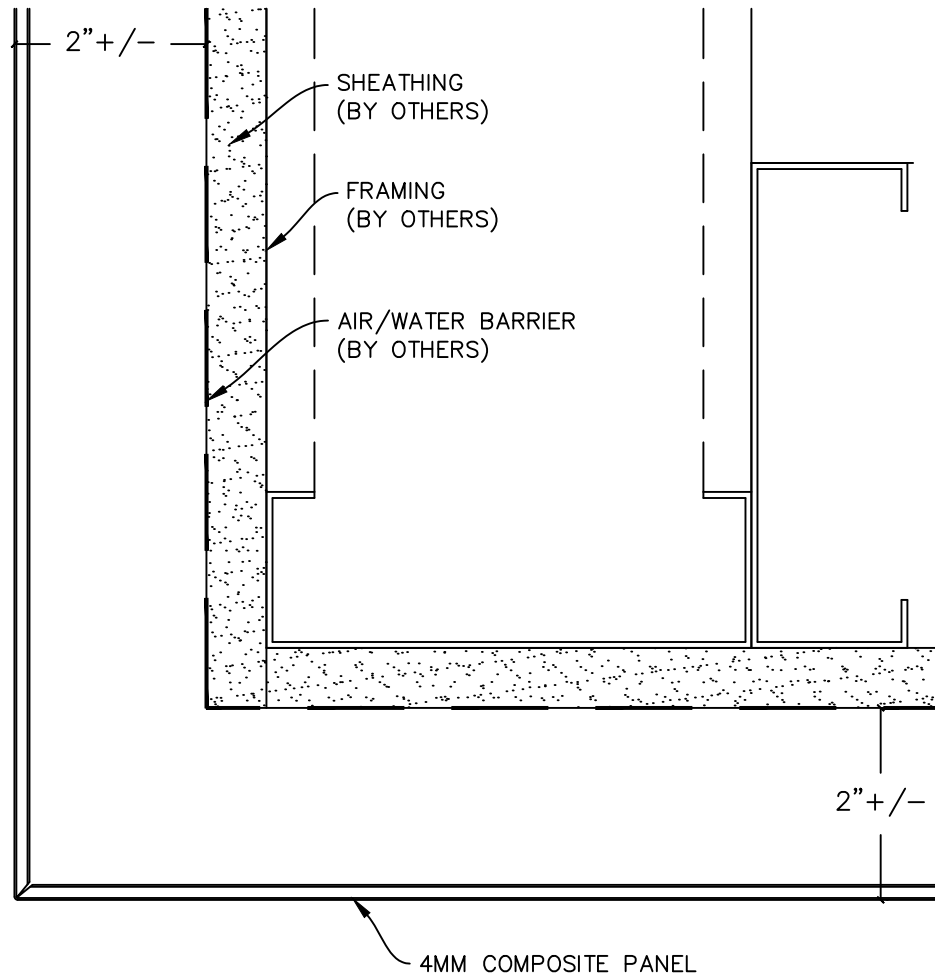
TYP. REVEAL JOINT

SCALE: 6" = 1'-0"

ACCU-TRAC<sup>®</sup> IS A PATENTED WALL PANEL ATTACHMENT SYSTEM AND MAY NOT BE REPRODUCED OR DUPLICATED WITHOUT PRIOR WRITTEN APPROVAL

# ACCU-TRAC<sup>®</sup> (ES) ATTACHMENT SYSTEMS

1 JOHNSON ST. SUITE 118 CARTERSVILLE, GA. 30120 PHONE 678-721-4569



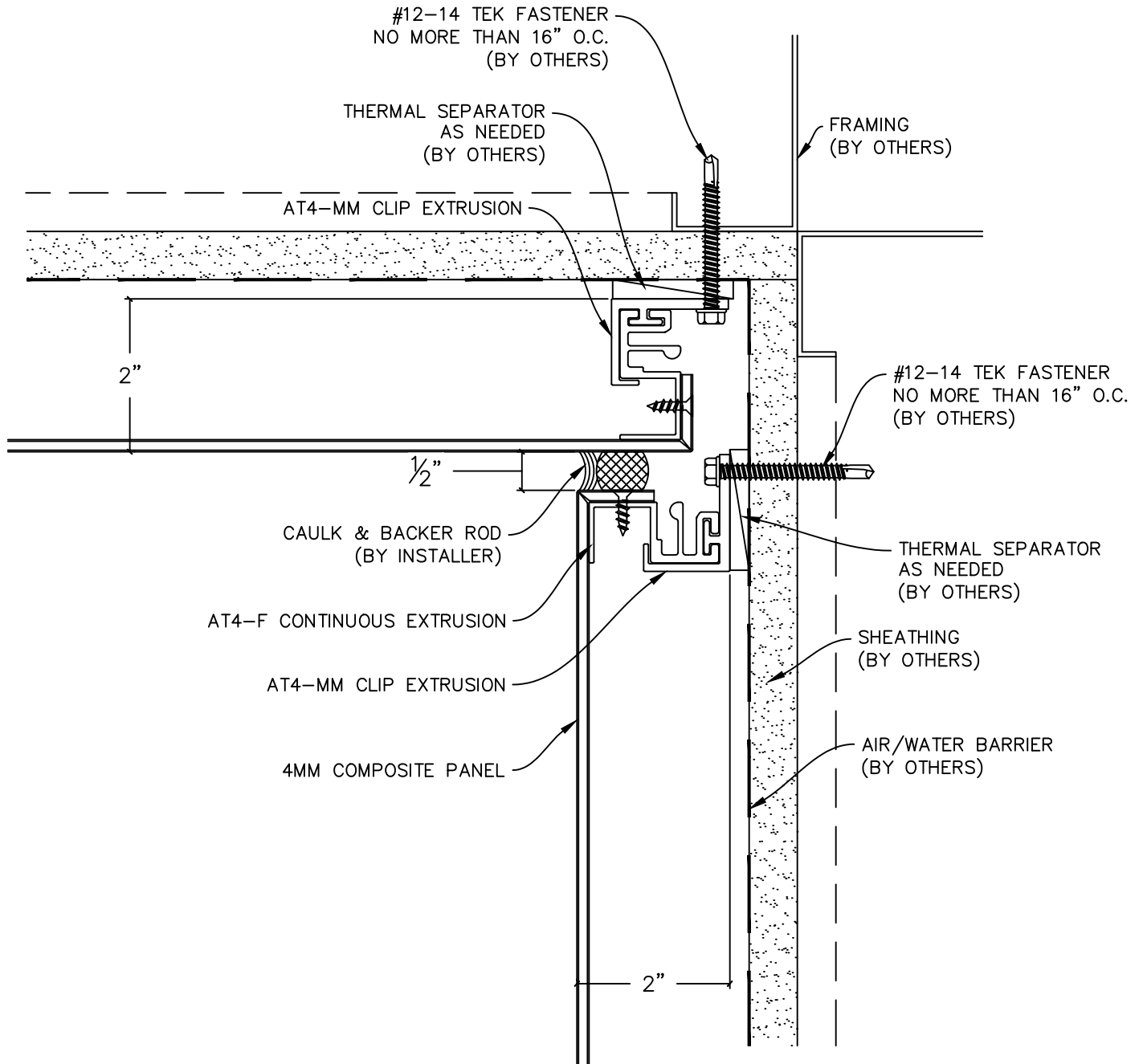
## 6 OUTSIDE CORNER

SCALE: 6" = 1'-0"

ACCU-TRAC<sup>®</sup> IS A PATENTED WALL PANEL ATTACHMENT SYSTEM AND MAY NOT BE REPRODUCED OR DUPLICATED WITHOUT PRIOR WRITTEN APPROVAL

# ACCU-TRAC<sup>®</sup> (ES) ATTACHMENT SYSTEMS

1 JOHNSON ST. SUITE 118 CARTERSVILLE, GA. 30120 PHONE 678-721-4569



## 7 SOFFIT TRANSITION

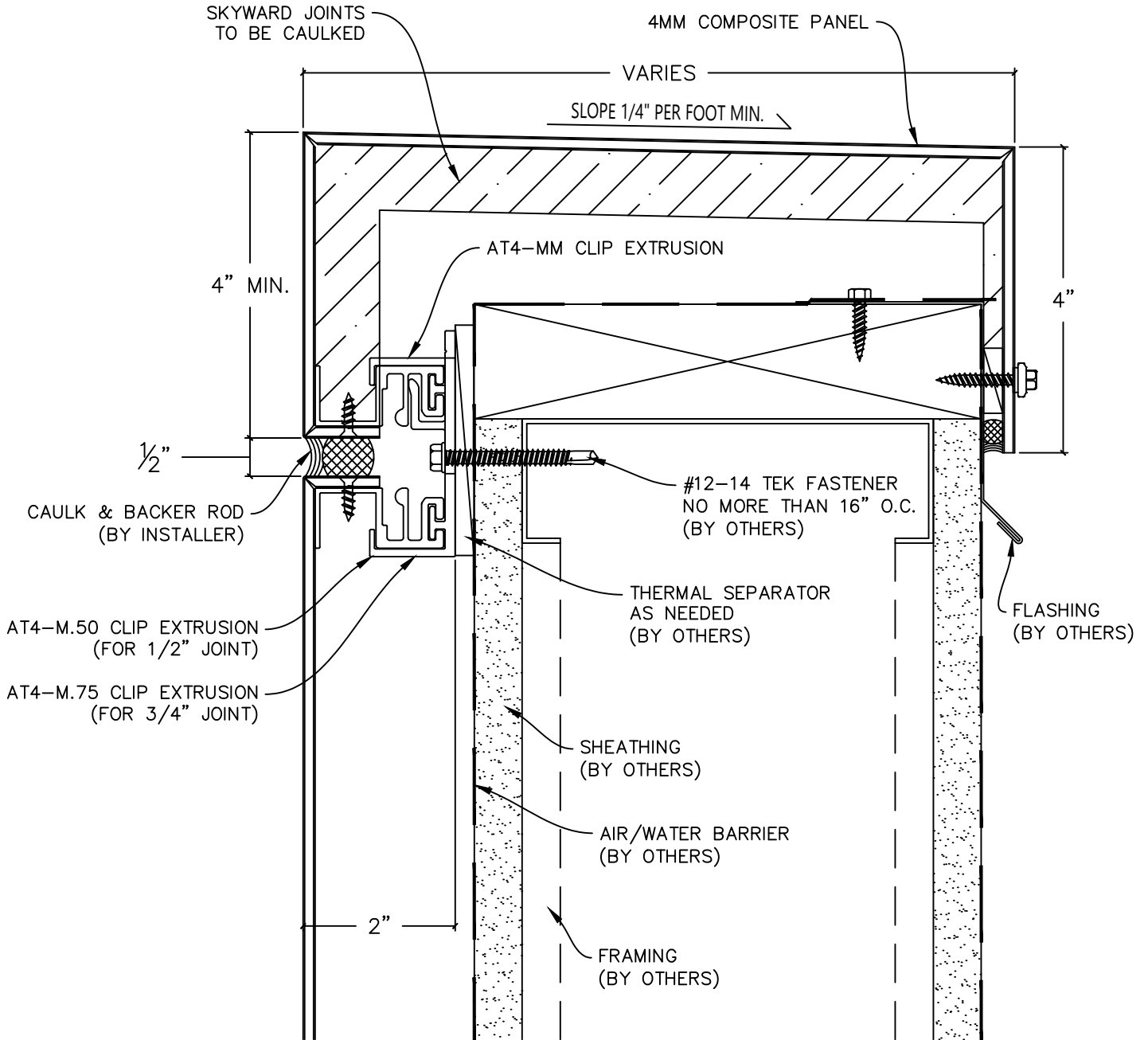
SCALE: 6" = 1'-0"

ACCU-TRAC<sup>®</sup> IS A PATENTED WALL PANEL ATTACHMENT SYSTEM AND MAY NOT BE REPRODUCED OR DUPLICATED WITHOUT PRIOR WRITTEN APPROVAL



# ACCU-TRAC<sup>®</sup> (ES) ATTACHMENT SYSTEMS

1 JOHNSON ST. SUITE 118 CARTERSVILLE, GA. 30120 PHONE 678-721-4569



8

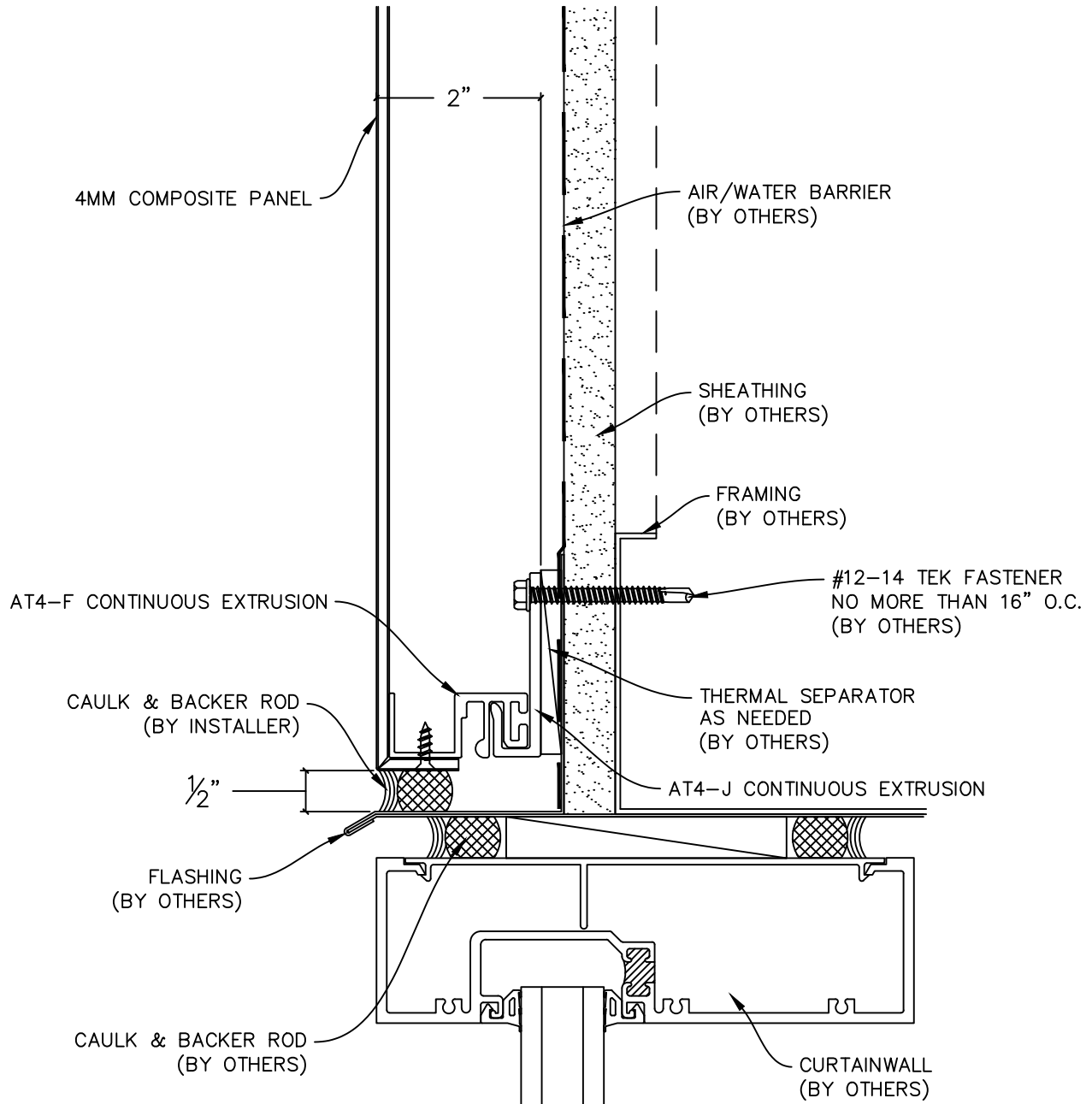
## PARAPET TERMINATION

SCALE: 6" = 1'-0"

ACCU-TRAC<sup>®</sup> IS A PATENTED WALL PANEL ATTACHMENT SYSTEM AND MAY NOT BE REPRODUCED OR DUPLICATED WITHOUT PRIOR WRITTEN APPROVAL

# ACCU-TRAC<sup>®</sup> (ES) ATTACHMENT SYSTEMS

1 JOHNSON ST. SUITE 118 CARTERSVILLE, GA. 30120 PHONE 678-721-4569



9

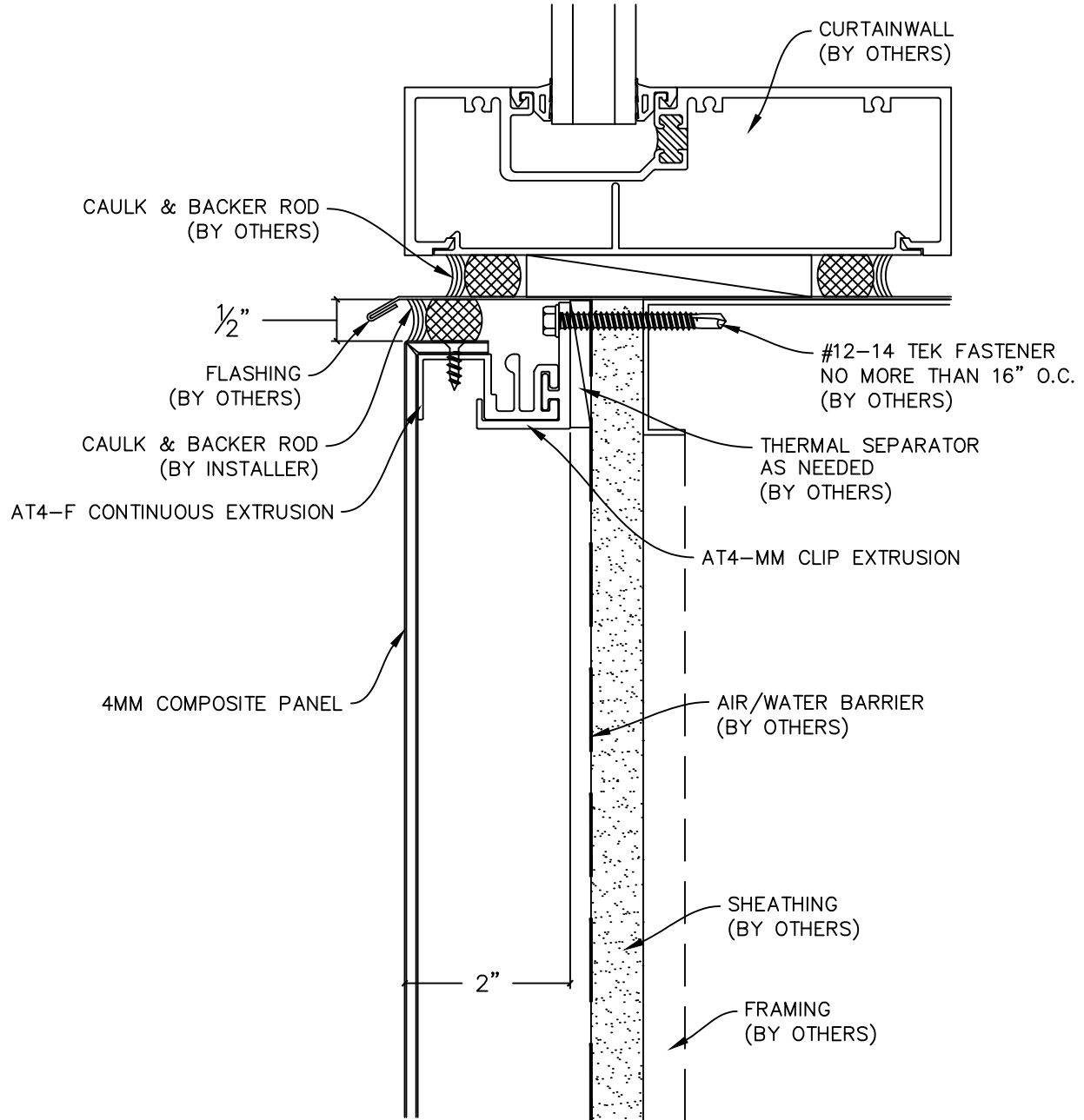
## WINDOW HEAD TERMINATION

SCALE: 6" = 1'-0"

ACCU-TRAC<sup>®</sup> IS A PATENTED WALL PANEL ATTACHMENT SYSTEM AND MAY NOT BE REPRODUCED OR DUPLICATED WITHOUT PRIOR WRITTEN APPROVAL

# ACCU-TRAC<sup>®</sup> (ES) ATTACHMENT SYSTEMS

1 JOHNSON ST. SUITE 118 CARTERSVILLE, GA. 30120 PHONE 678-721-4569



10

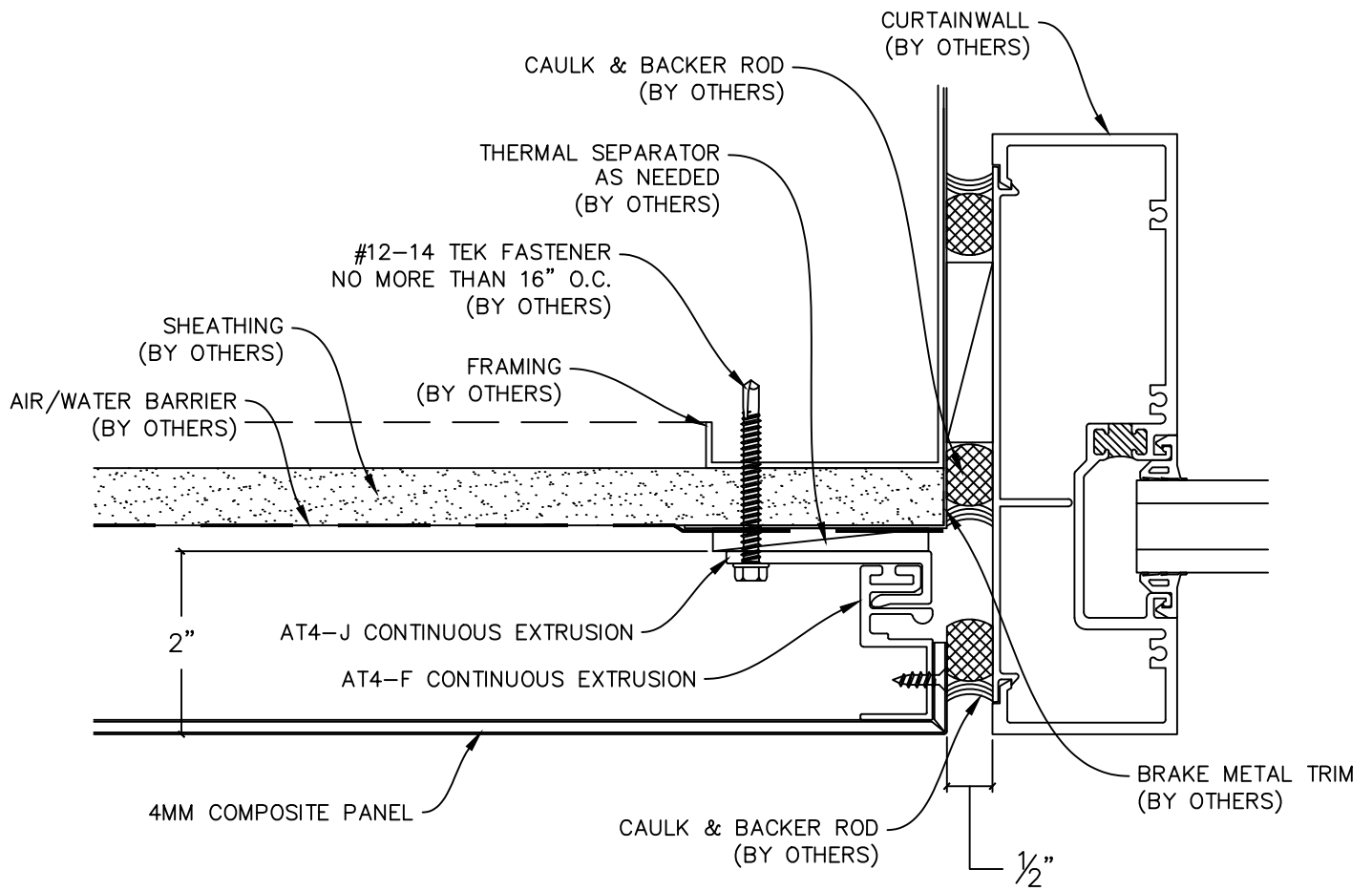
## WINDOW SILL TERMINATION

SCALE: 6" = 1'-0"

ACCU-TRAC<sup>®</sup> IS A PATENTED WALL PANEL ATTACHMENT SYSTEM AND MAY NOT BE REPRODUCED OR DUPLICATED WITHOUT PRIOR WRITTEN APPROVAL

# ACCU-TRAC<sup>®</sup> (ES) ATTACHMENT SYSTEMS

1 JOHNSON ST. SUITE 118 CARTERSVILLE, GA. 30120 PHONE 678-721-4569



11

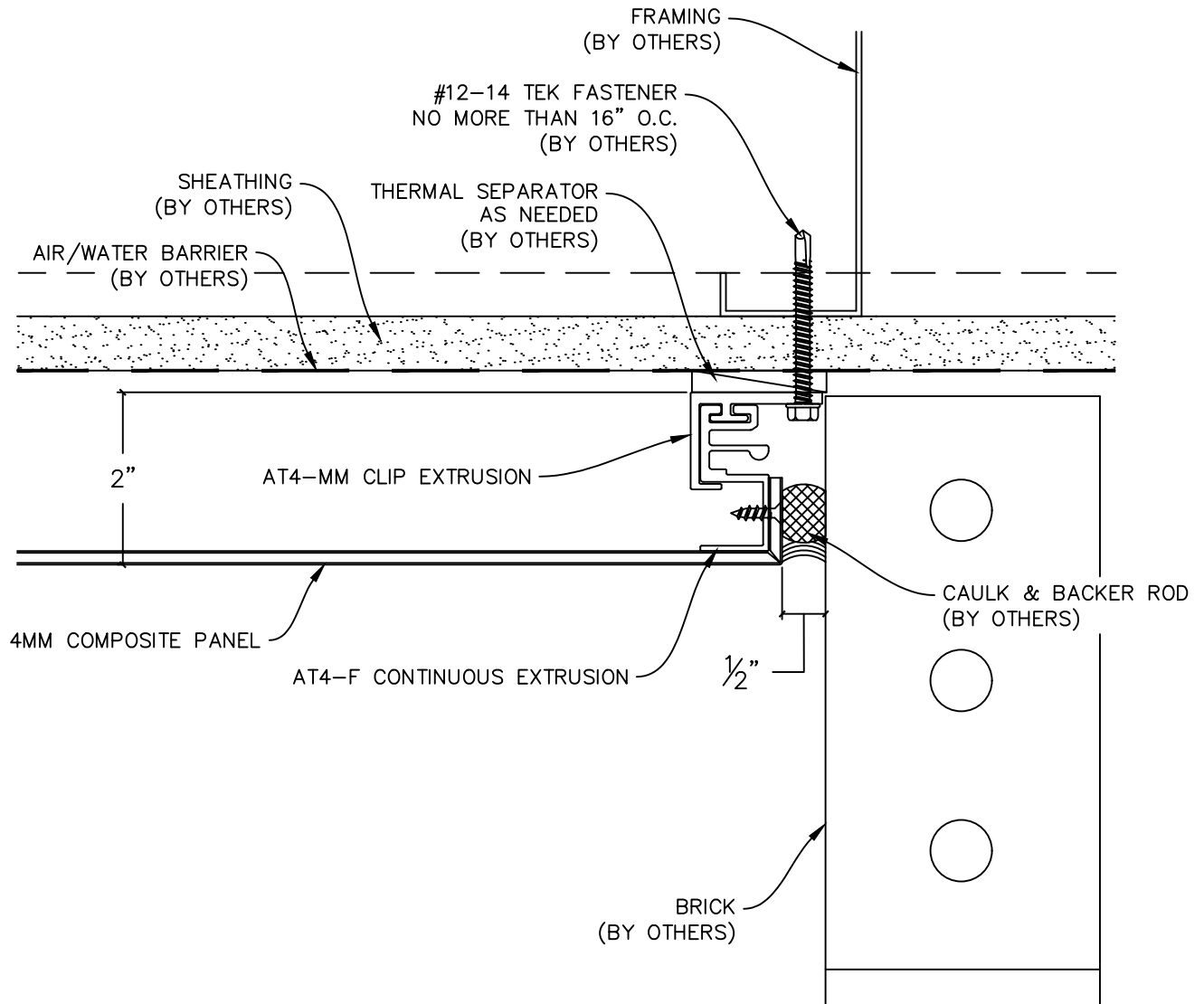
## WINDOW JAMB TERMINATION

SCALE: 6" = 1'-0"

ACCU-TRAC<sup>®</sup> IS A PATENTED WALL PANEL ATTACHMENT SYSTEM AND MAY NOT BE REPRODUCED OR DUPLICATED WITHOUT PRIOR WRITTEN APPROVAL

# ACCU-TRAC<sup>®</sup> (ES) ATTACHMENT SYSTEMS

1 JOHNSON ST. SUITE 118 CARTERSVILLE, GA. 30120 PHONE 678-721-4569



12

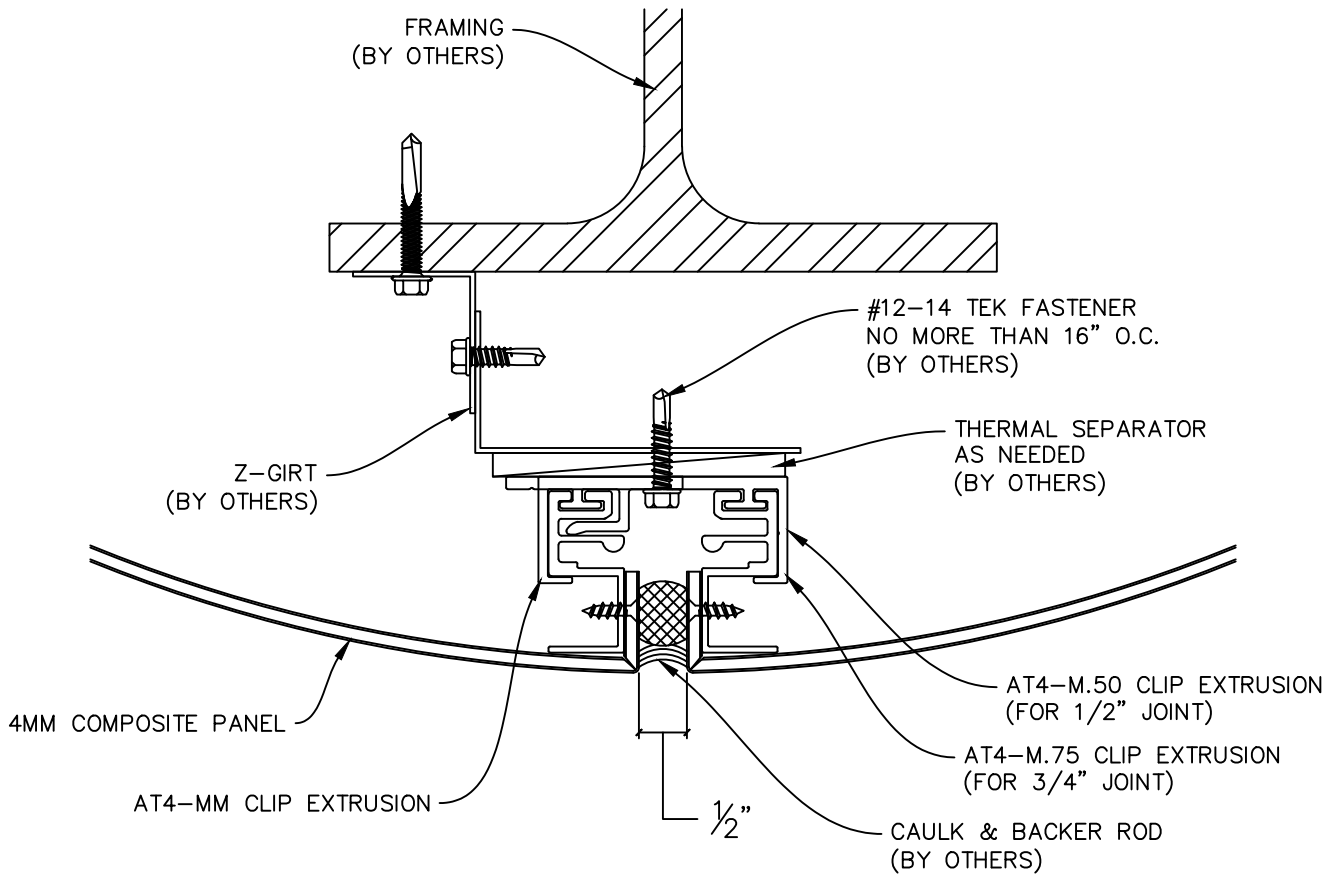
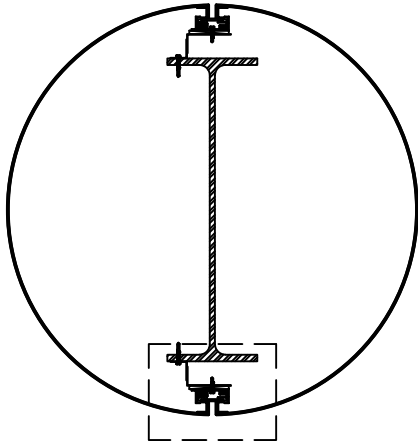
## VERTICAL TERMINATION @ BRICK

SCALE: 6" = 1'-0"

ACCU-TRAC<sup>®</sup> IS A PATENTED WALL PANEL ATTACHMENT SYSTEM AND MAY NOT BE REPRODUCED OR DUPLICATED WITHOUT PRIOR WRITTEN APPROVAL

# ACCU-TRAC<sup>®</sup> (ES) ATTACHMENT SYSTEMS

1 JOHNSON ST. SUITE 118 CARTERSVILLE, GA. 30120 PHONE 678-721-4569



13 TYP. COLUMN JOINT  
SCALE: 6" = 1'-0"