

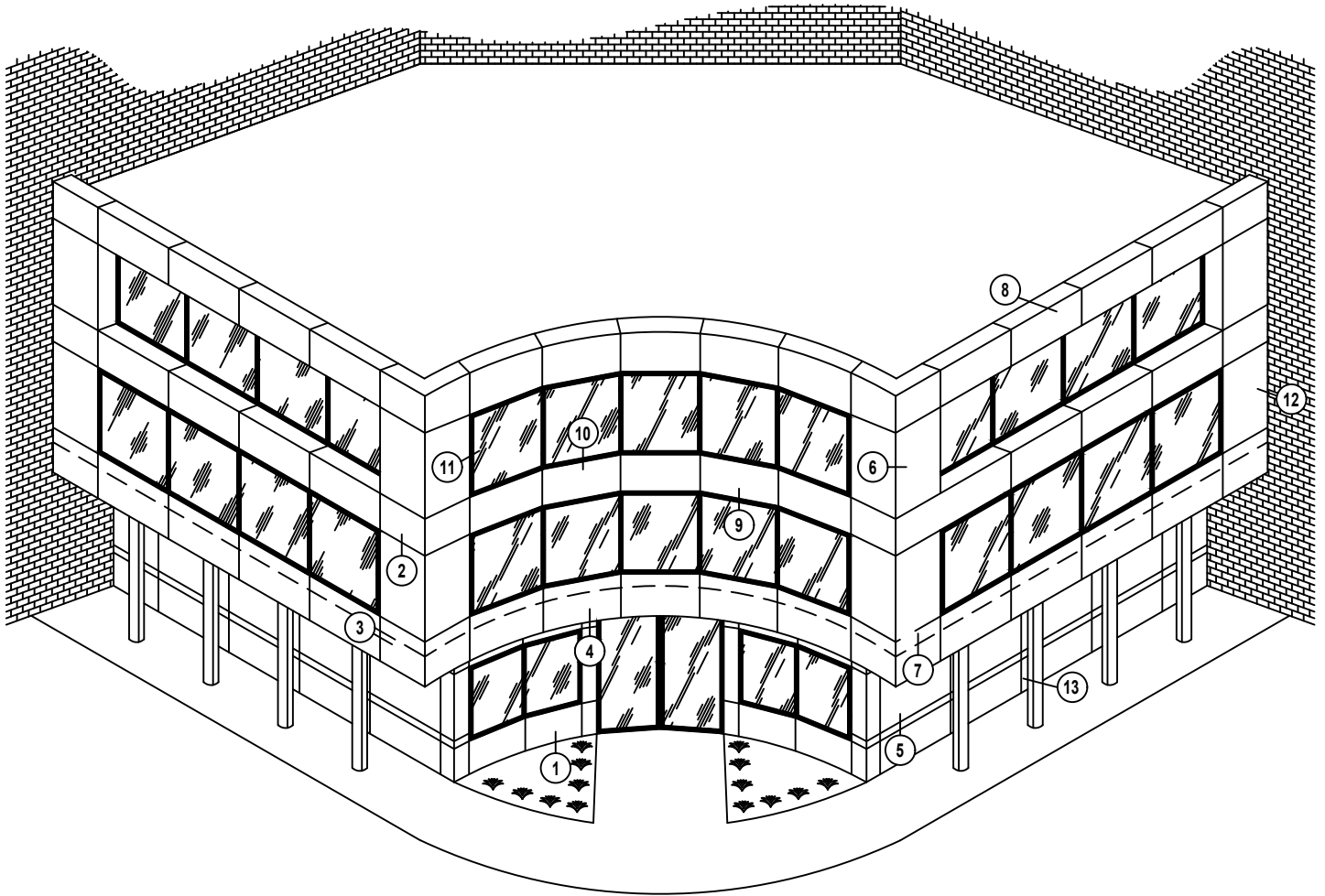
ACCU-TRAC[®]

ATTACHMENT SYSTEMS

TYPICAL DETAILS

PRESSURE EQUALIZED RAIN SCREEN SYSTEM

(DS 4MM ROUTED MCM SYSTEM)



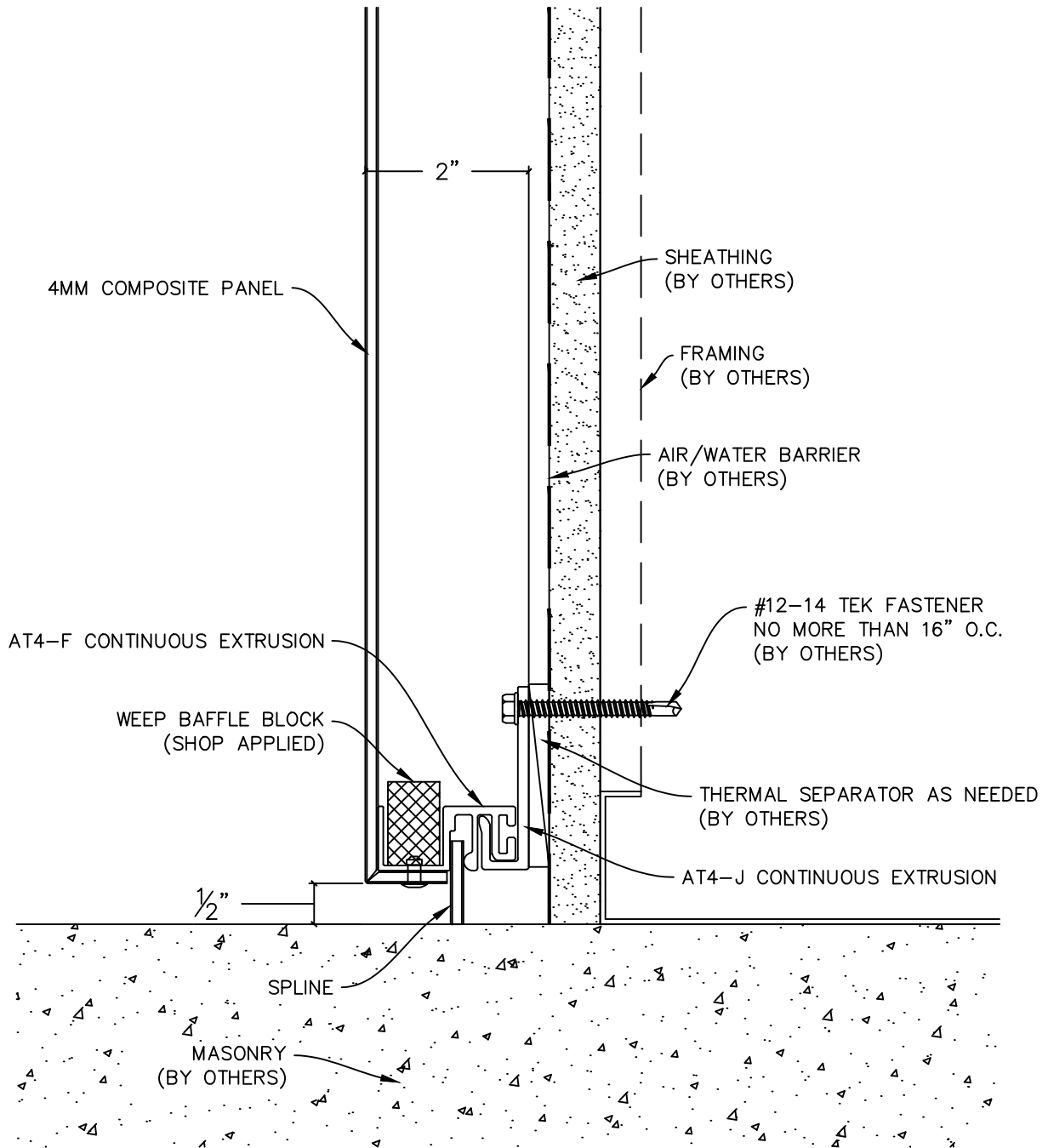
MANUFACTURED BY ALTECH PANEL SYSTEMS AND AVAILABLE THROUGH VARIOUS DISTRIBUTORS
1 JOHNSON ST. SUITE 118 CARTERSVILLE, GA. 30120 PHONE 678-721-4569

ALTECHPANEL.COM

REVISED 9/2020

ACCU-TRAC® (DS) ATTACHMENT SYSTEMS

1 JOHNSON ST. SUITE 118 CARTERSVILLE, GA. 30120 PHONE 678-721-4569



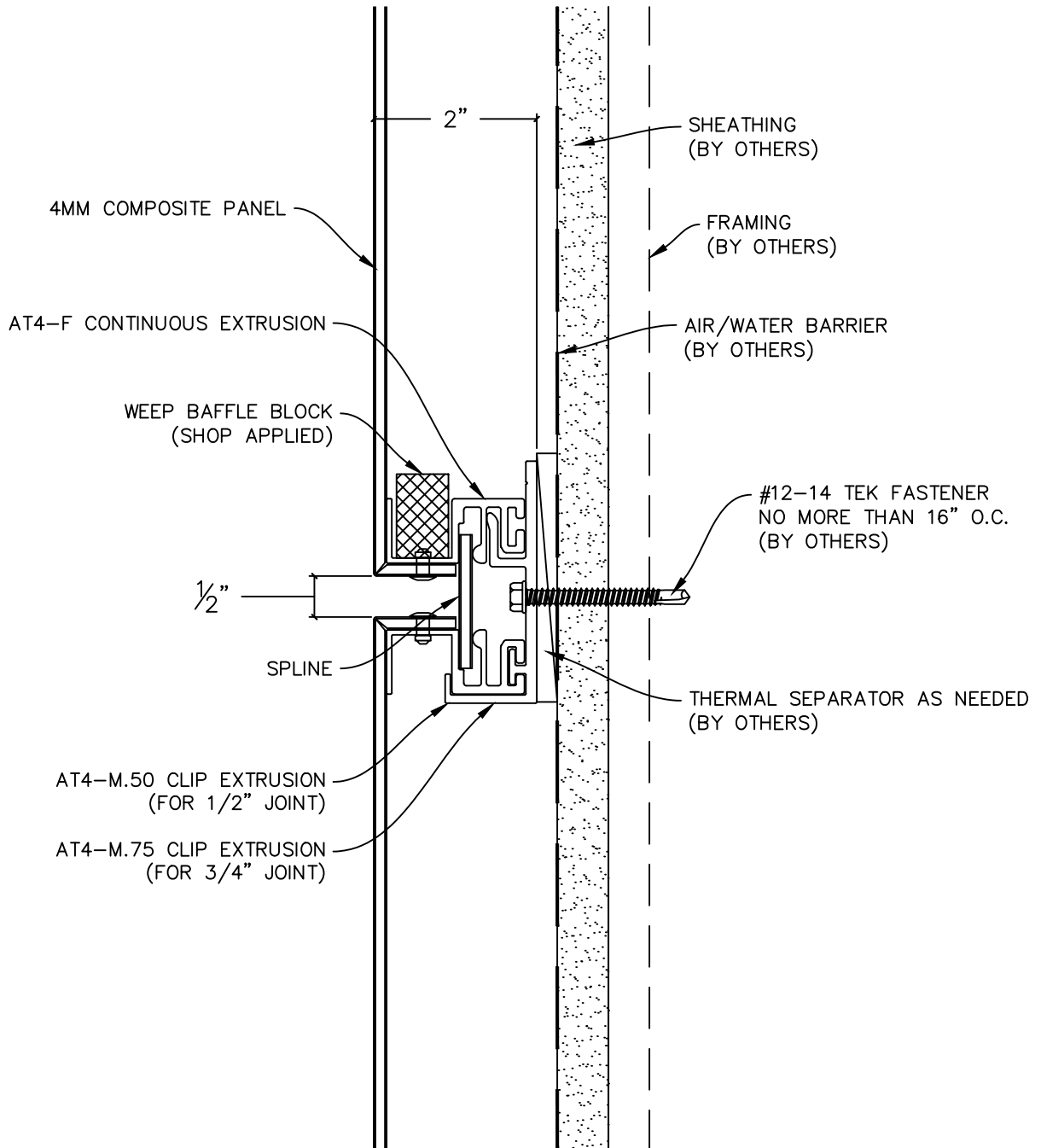
1 BASE TERMINATION

SCALE: 6" = 1'-0"

ACCU-TRAC® IS A PATENTED WALL PANEL ATTACHMENT SYSTEM AND MAY NOT BE REPRODUCED OR DUPLICATED WITHOUT PRIOR WRITTEN APPROVAL

ACCU-TRAC[®] (DS) ATTACHMENT SYSTEMS

1 JOHNSON ST. SUITE 118 CARTERSVILLE, GA. 30120 PHONE 678-721-4569



2

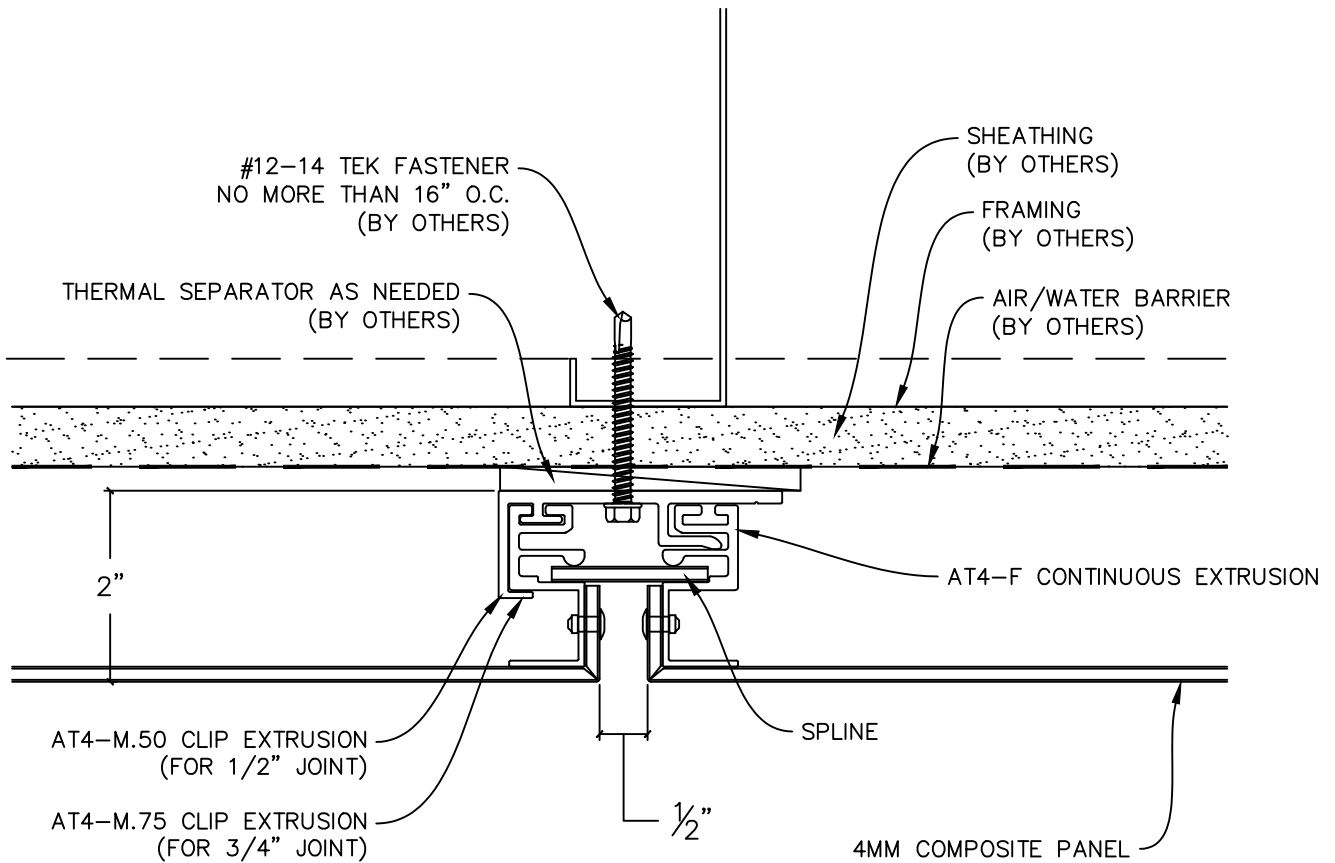
TYP. HORIZONTAL JOINT

SCALE: 6" = 1'-0"

ACCU-TRAC[®] IS A PATENTED WALL PANEL ATTACHMENT SYSTEM AND MAY NOT BE REPRODUCED OR DUPLICATED WITHOUT PRIOR WRITTEN APPROVAL

ACCU-TRAC[®] (DS) ATTACHMENT SYSTEMS

1 JOHNSON ST. SUITE 118 CARTERSVILLE, GA. 30120 PHONE 678-721-4569



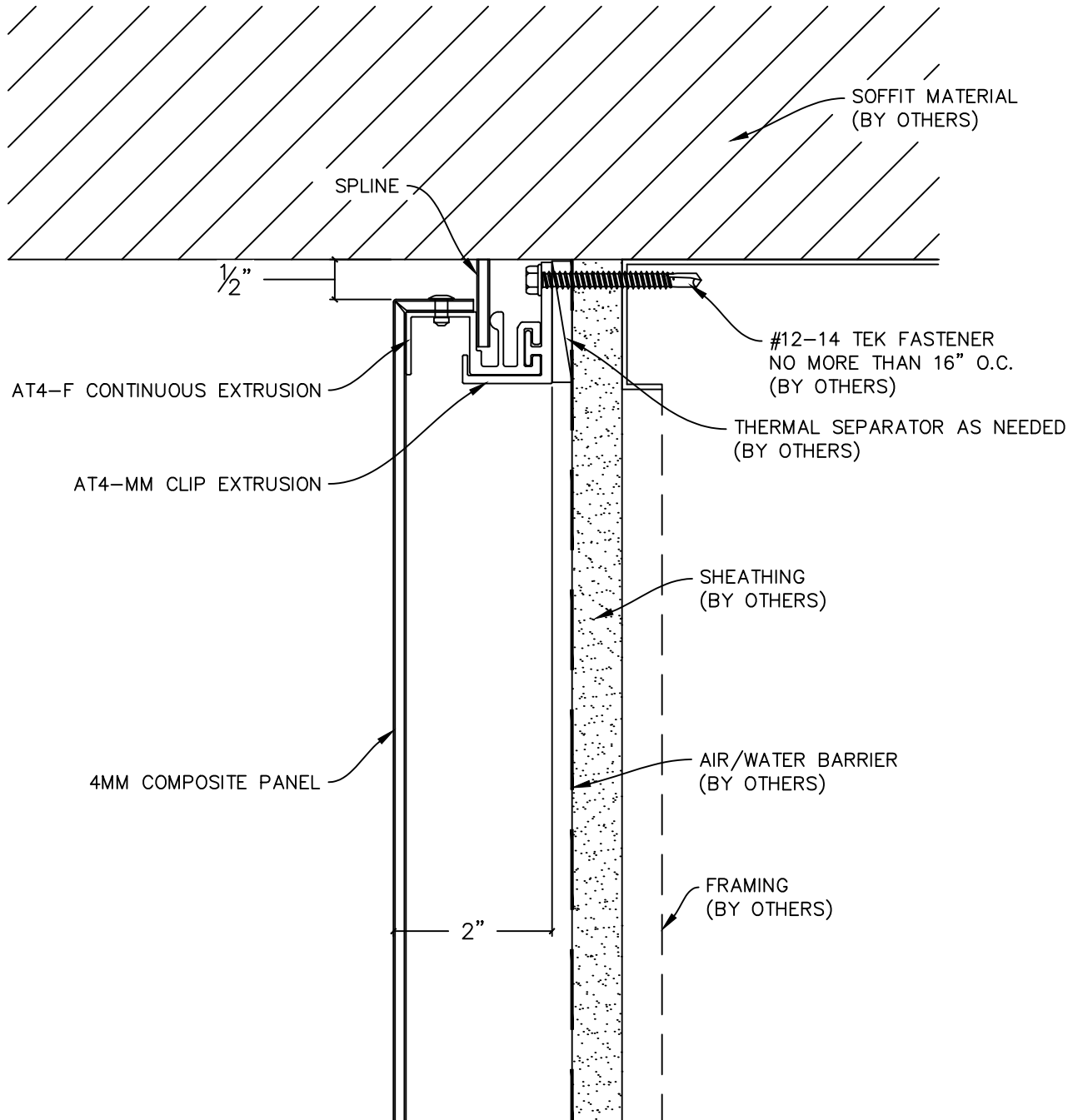
3 TYP. VERTICAL JOINT

SCALE: 6" = 1'-0"

ACCU-TRAC[®] IS A PATENTED WALL PANEL ATTACHMENT SYSTEM AND MAY NOT BE REPRODUCED OR DUPLICATED WITHOUT PRIOR WRITTEN APPROVAL

ACCU-TRAC[®] (DS) ATTACHMENT SYSTEMS

1 JOHNSON ST. SUITE 118 CARTERSVILLE, GA. 30120 PHONE 678-721-4569



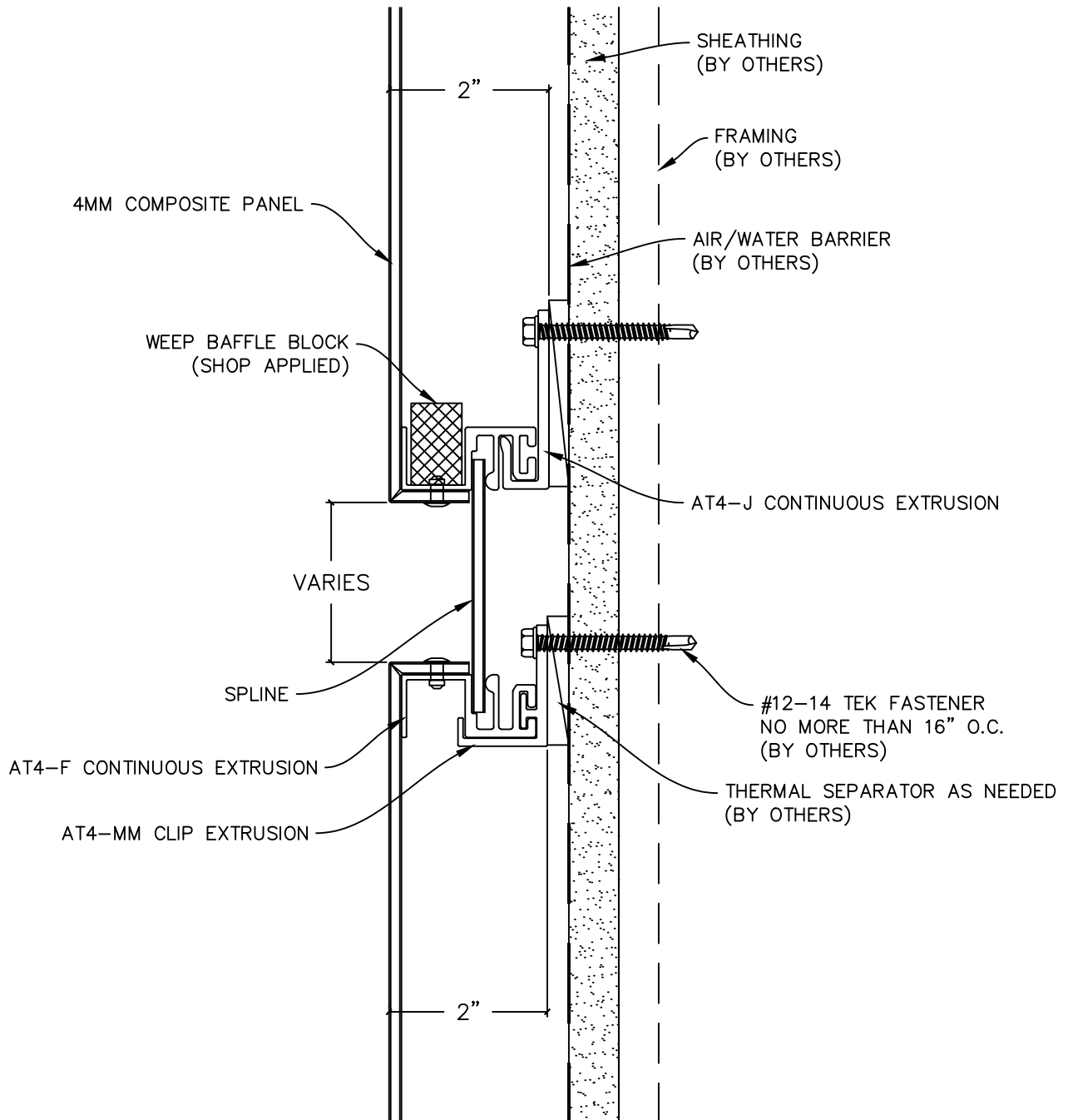
4 SOFFIT TERMINATION

SCALE: 6" = 1'-0"

ACCU-TRAC[®] IS A PATENTED WALL PANEL ATTACHMENT SYSTEM AND MAY NOT BE REPRODUCED OR DUPLICATED WITHOUT PRIOR WRITTEN APPROVAL

ACCU-TRAC® (DS) ATTACHMENT SYSTEMS

1 JOHNSON ST. SUITE 118 CARTERSVILLE, GA. 30120 PHONE 678-721-4569

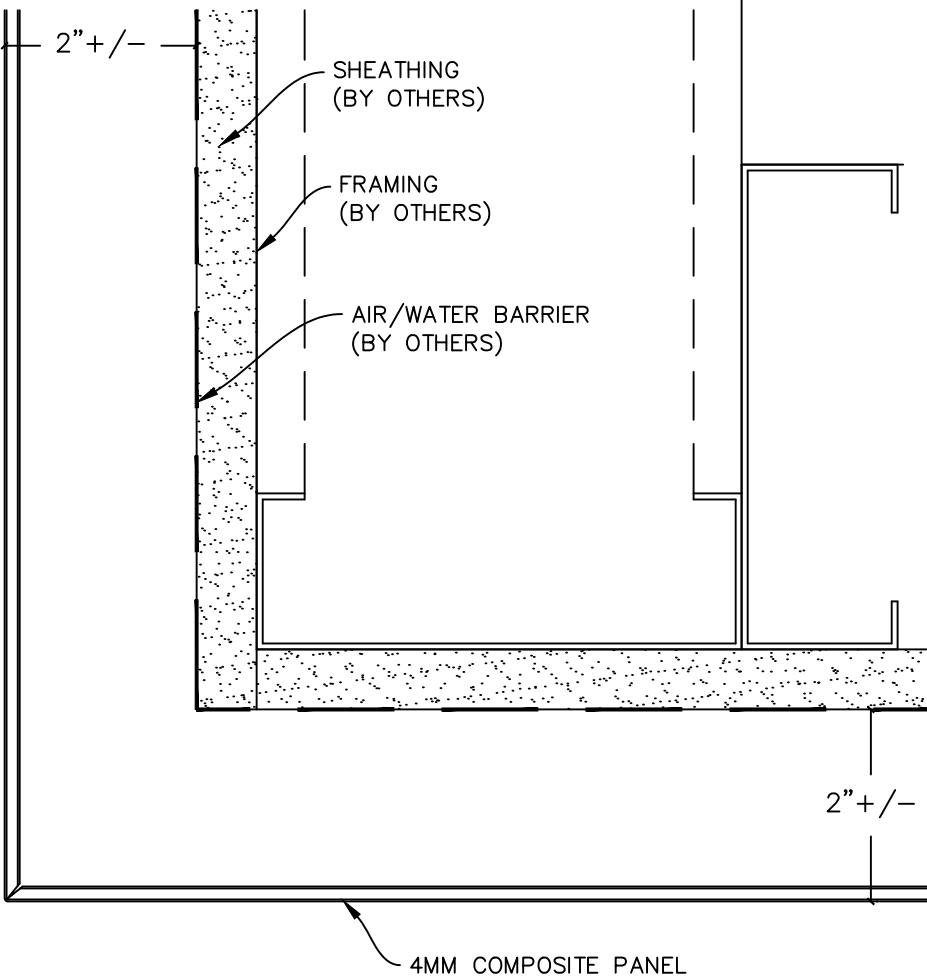


5 TYP. REVEAL JOINT
SCALE: 6" = 1'-0"

ACCU-TRAC® IS A PATENTED WALL PANEL ATTACHMENT SYSTEM AND MAY NOT BE REPRODUCED OR DUPLICATED WITHOUT PRIOR WRITTEN APPROVAL

ACCU-TRAC[®] (DS) ATTACHMENT SYSTEMS

1 JOHNSON ST. SUITE 118 CARTERSVILLE, GA. 30120 PHONE 678-721-4569



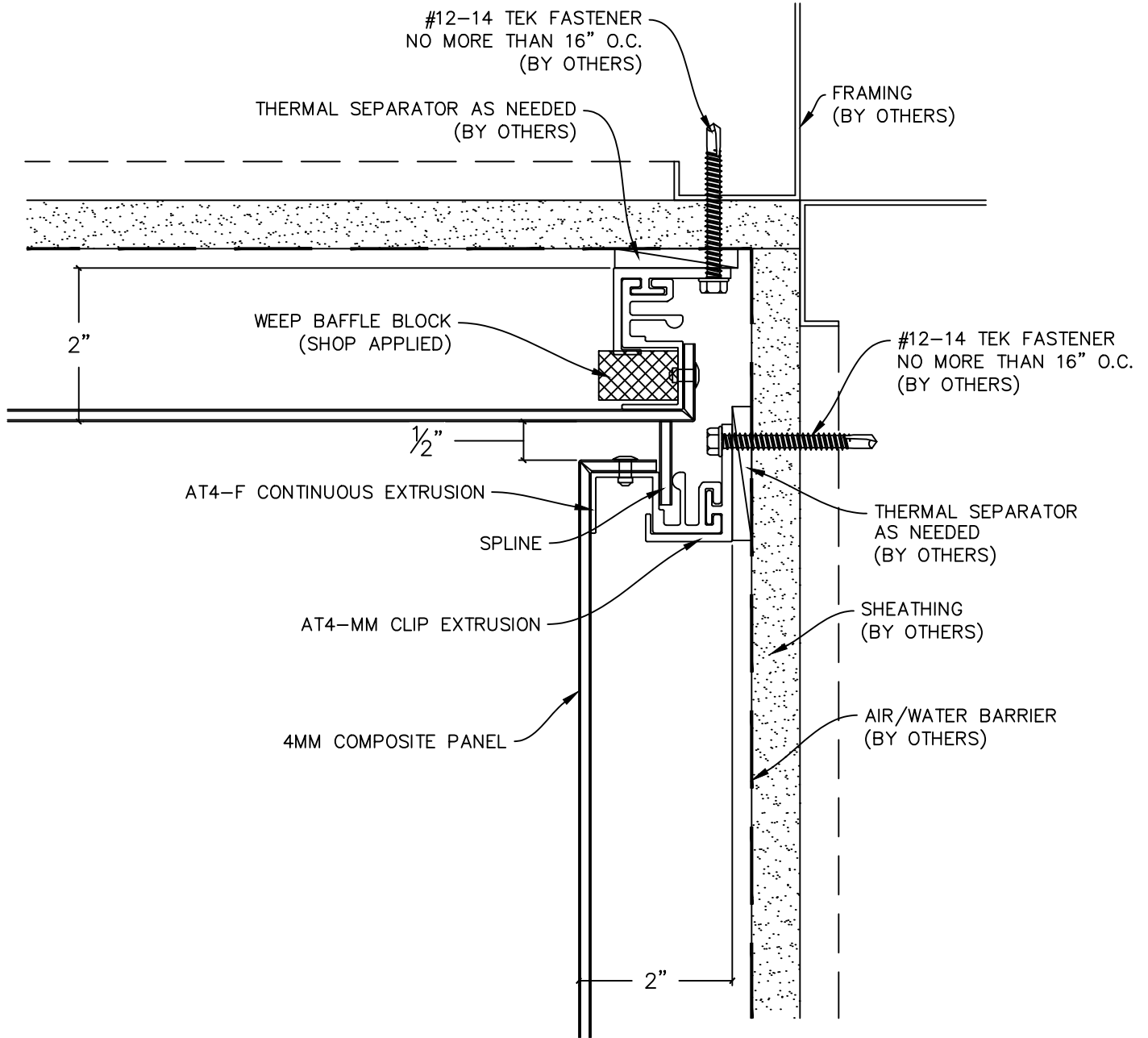
6 OUTSIDE CORNER

SCALE: 6" = 1'-0"

ACCU-TRAC[®] IS A PATENTED WALL PANEL ATTACHMENT SYSTEM AND MAY NOT BE REPRODUCED OR DUPLICATED WITHOUT PRIOR WRITTEN APPROVAL

ACCU-TRAC[®] (DS) ATTACHMENT SYSTEMS

1 JOHNSON ST. SUITE 118 CARTERSVILLE, GA. 30120 PHONE 678-721-4569



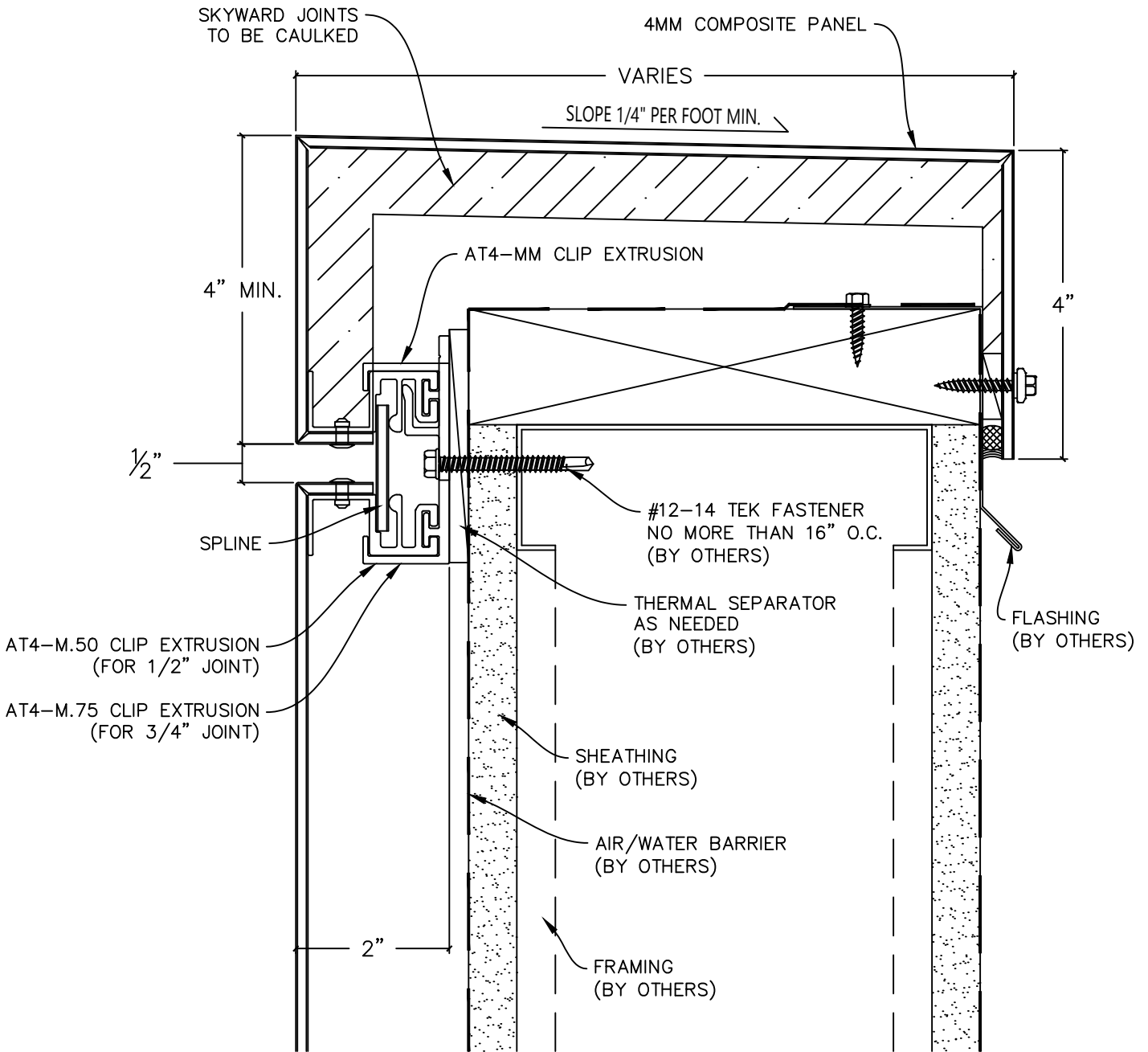
7 SOFFIT TRANSITION

SCALE: 6" = 1'-0"

ACCU-TRAC[®] IS A PATENTED WALL PANEL ATTACHMENT SYSTEM AND MAY NOT BE REPRODUCED OR
DUPLICATED WITHOUT PRIOR WRITTEN APPROVAL

ACCU-TRAC[®] (DS) ATTACHMENT SYSTEMS

1 JOHNSON ST. SUITE 118 CARTERSVILLE, GA. 30120 PHONE 678-721-4569



8

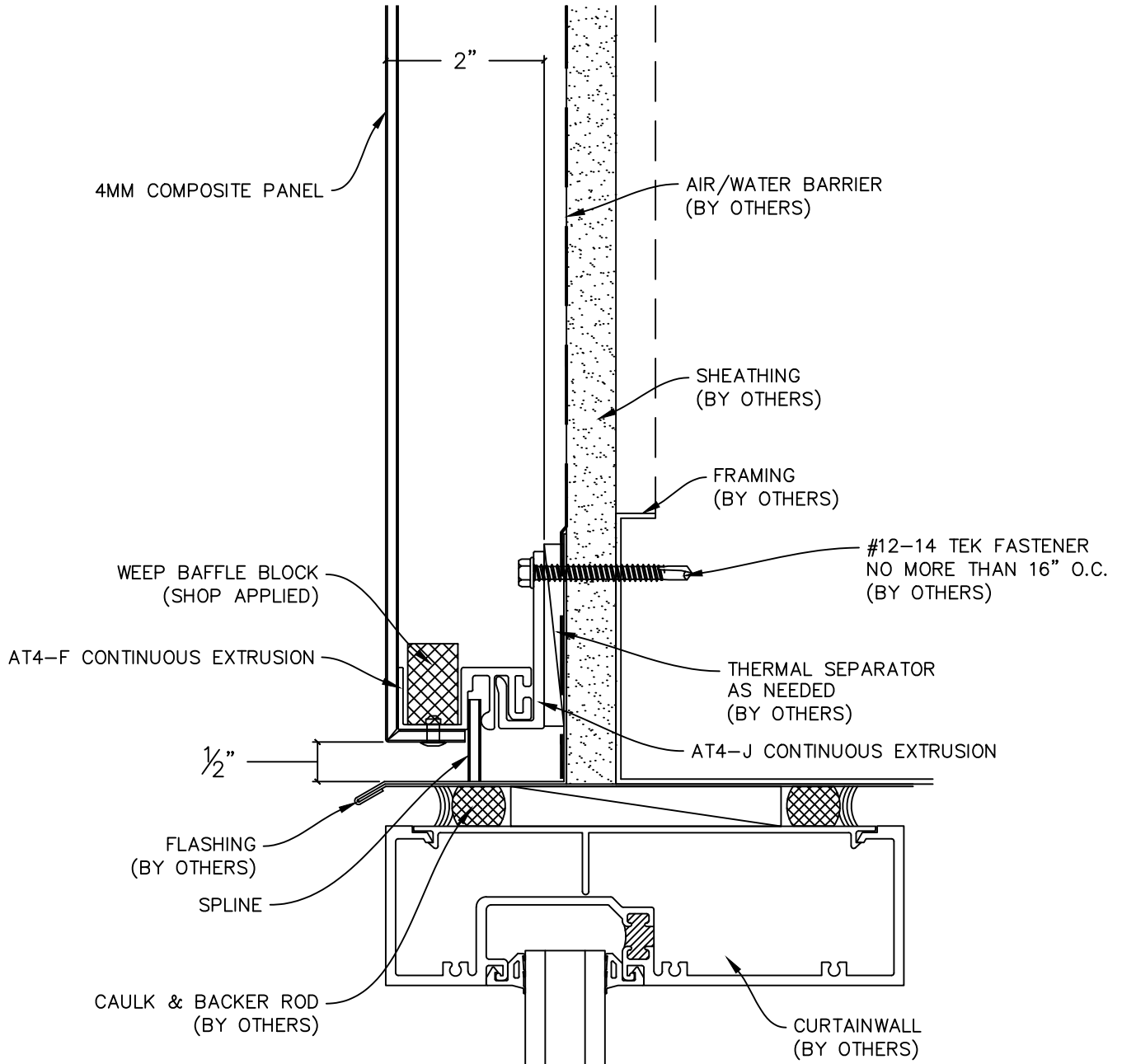
PARAPET TERMINATION

SCALE: 6" = 1'-0"

ACCU-TRAC[®] IS A PATENTED WALL PANEL ATTACHMENT SYSTEM AND MAY NOT BE REPRODUCED OR DUPLICATED WITHOUT PRIOR WRITTEN APPROVAL

ACCU-TRAC[®] (DS) ATTACHMENT SYSTEMS

1 JOHNSON ST. SUITE 118 CARTERSVILLE, GA. 30120 PHONE 678-721-4569



9

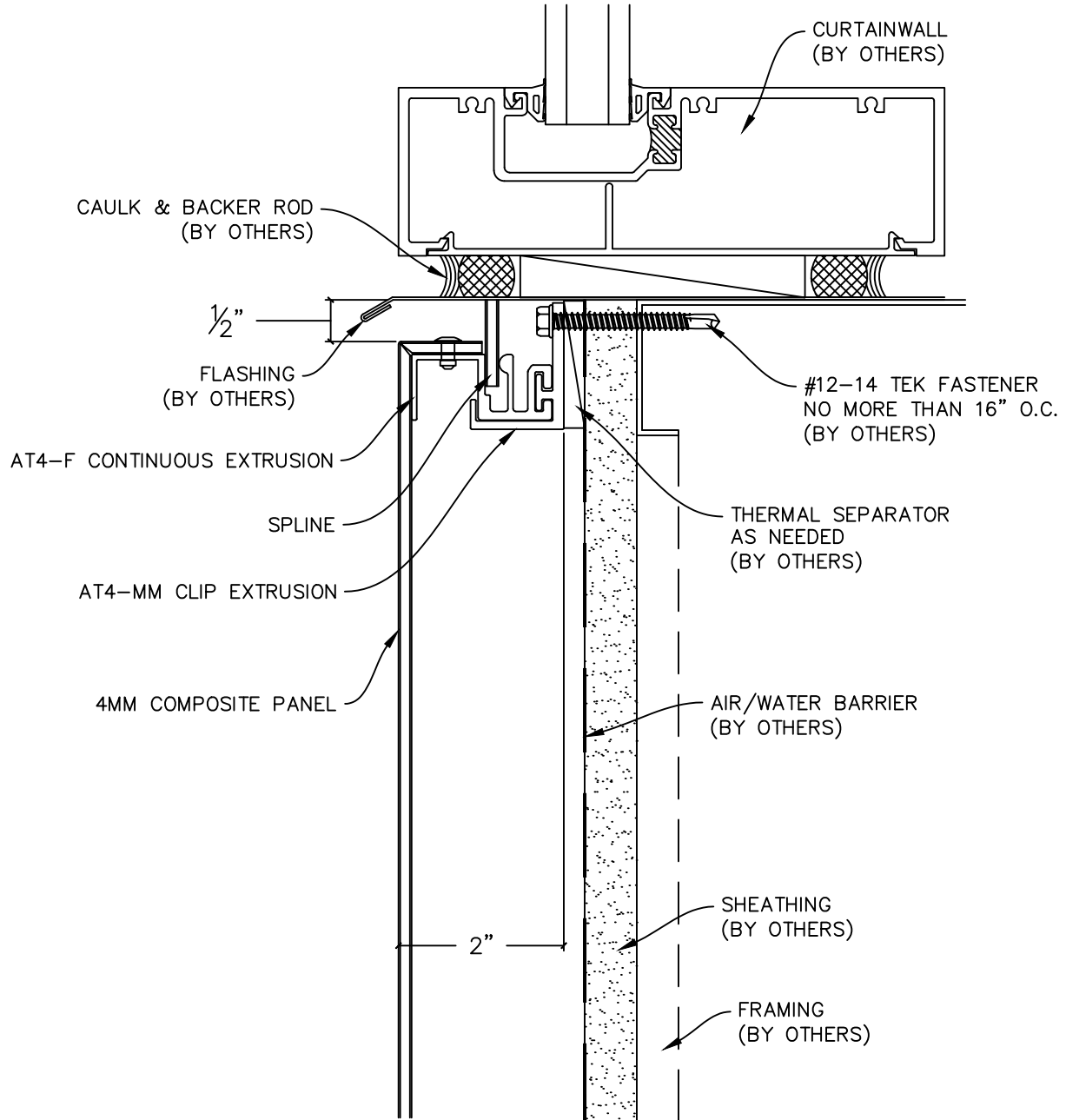
WINDOW HEAD TERMINATION

SCALE: 6" = 1'-0"

ACCU-TRAC[®] IS A PATENTED WALL PANEL ATTACHMENT SYSTEM AND MAY NOT BE REPRODUCED OR DUPLICATED WITHOUT PRIOR WRITTEN APPROVAL

ACCU-TRAC[®] (DS) ATTACHMENT SYSTEMS

1 JOHNSON ST. SUITE 118 CARTERSVILLE, GA. 30120 PHONE 678-721-4569



10

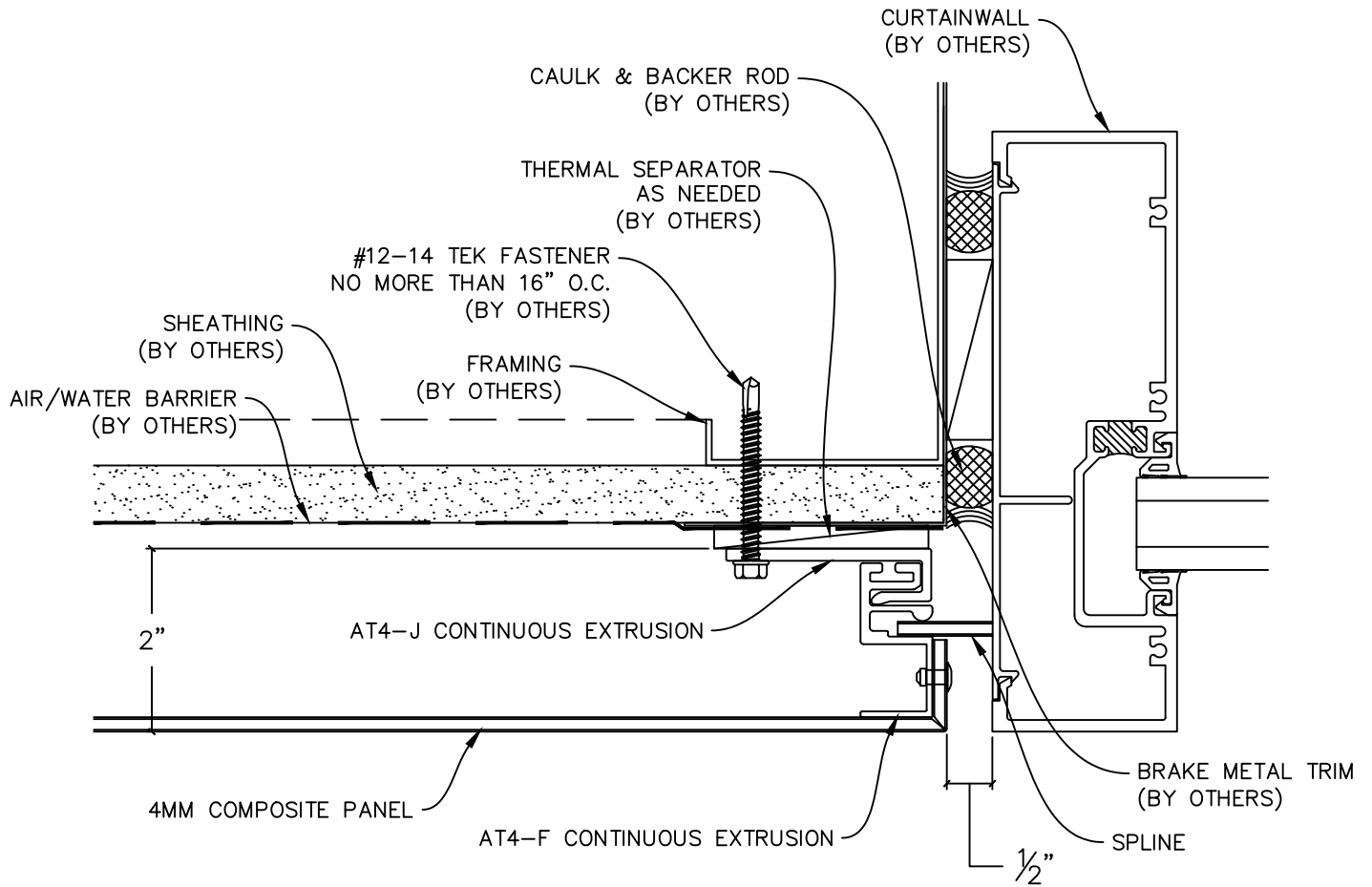
WINDOW SILL TERMINATION

SCALE: 6" = 1'-0"

ACCU-TRAC[®] IS A PATENTED WALL PANEL ATTACHMENT SYSTEM AND MAY NOT BE REPRODUCED OR DUPLICATED WITHOUT PRIOR WRITTEN APPROVAL

ACCU-TRAC® (DS) ATTACHMENT SYSTEMS

1 JOHNSON ST. SUITE 118 CARTERSVILLE, GA. 30120 PHONE 678-721-4569



11

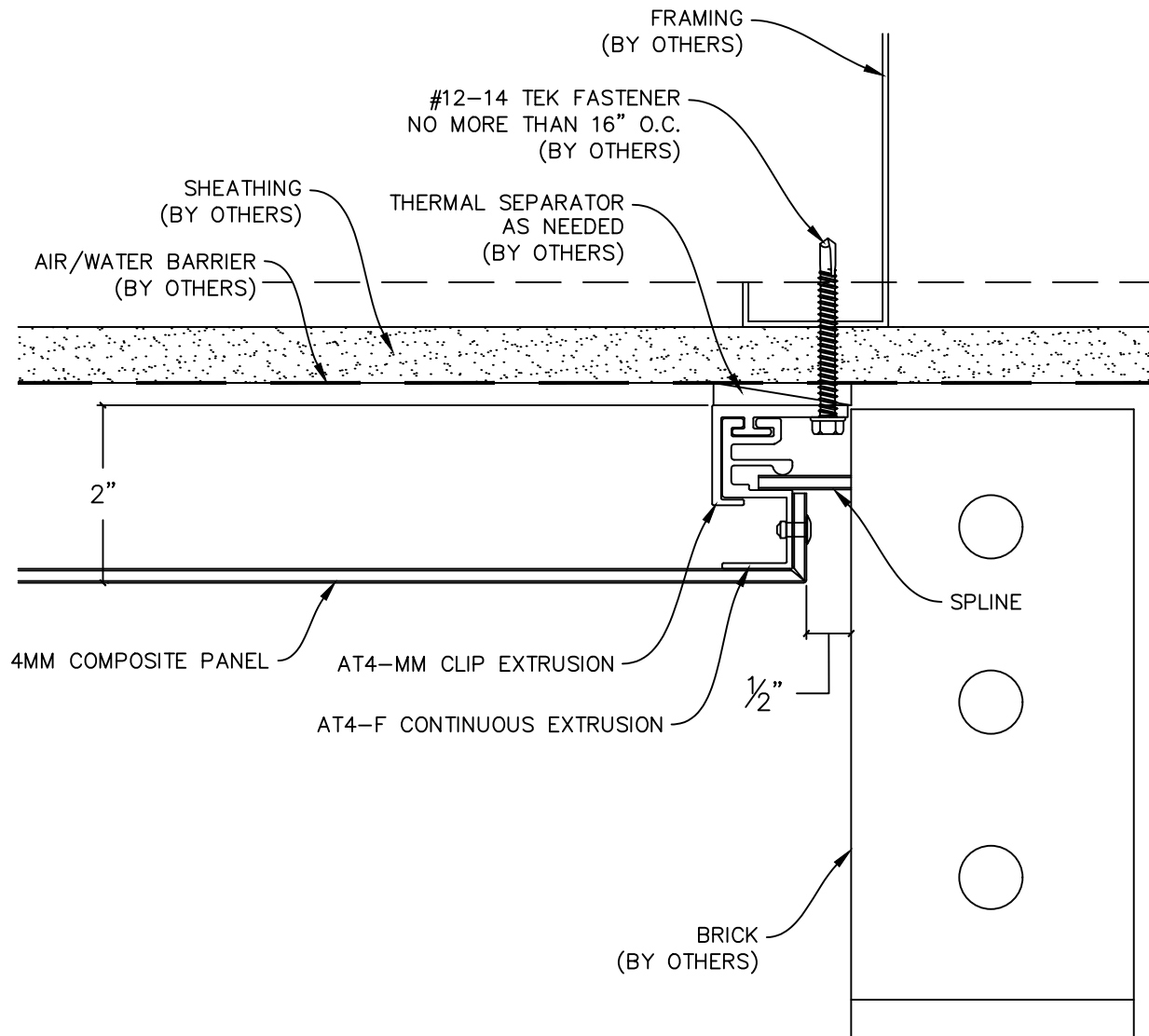
WINDOW JAMB TERMINATION

SCALE: 6" = 1'-0"

ACCU-TRAC® IS A PATENTED WALL PANEL ATTACHMENT SYSTEM AND MAY NOT BE REPRODUCED OR DUPLICATED WITHOUT PRIOR WRITTEN APPROVAL

ACCU-TRAC[®] (DS) ATTACHMENT SYSTEMS

1 JOHNSON ST. SUITE 118 CARTERSVILLE, GA. 30120 PHONE 678-721-4569



12

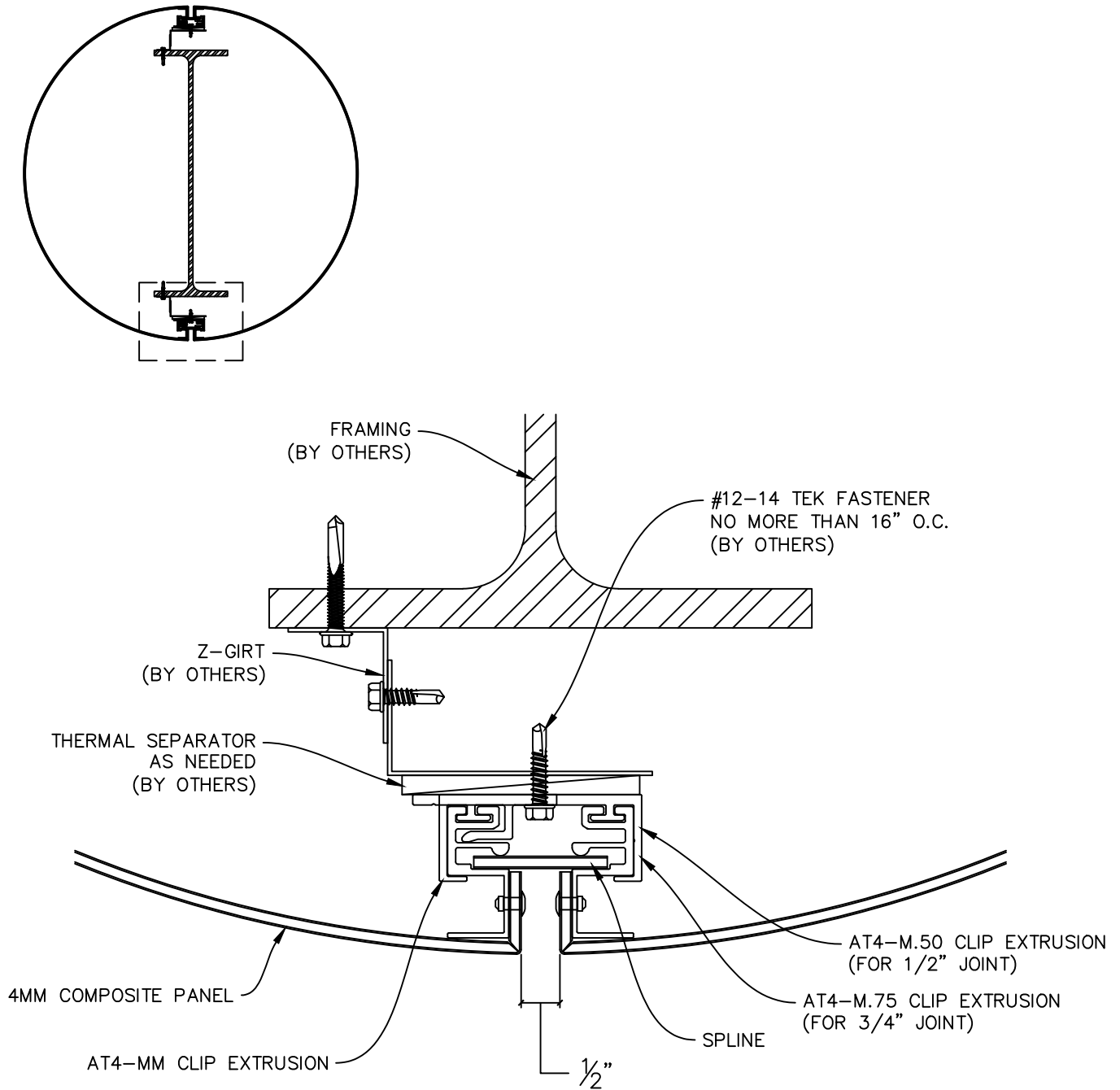
VERTICAL TERMINATION @ BRICK

SCALE: 6" = 1'-0"

ACCU-TRAC[®] IS A PATENTED WALL PANEL ATTACHMENT SYSTEM AND MAY NOT BE REPRODUCED OR DUPLICATED WITHOUT PRIOR WRITTEN APPROVAL

ACCU-TRAC[®] (DS) ATTACHMENT SYSTEMS

1 JOHNSON ST. SUITE 118 CARTERSVILLE, GA. 30120 PHONE 678-721-4569



13 TYP. COLUMN JOINT
SCALE: 6" = 1'-0"

ACCU-TRAC[®] IS A PATENTED WALL PANEL ATTACHMENT SYSTEM AND MAY NOT BE REPRODUCED OR DUPLICATED WITHOUT PRIOR WRITTEN APPROVAL